



COMMERCIAL WASHER INSTALLATION INSTRUCTIONS

220-240-volt, 50-Hz Models

INSTRUCTIONS D'INSTALLATION DU LAVE-LINGE COMMERCIAL

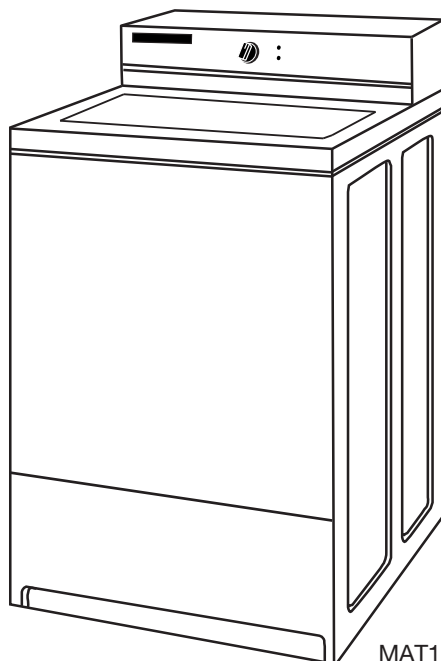
Modèles 220 - 240 V, 50 Hz

LAVADORA COMERCIAL INSTRUCCIONES DE INSTALACIÓN

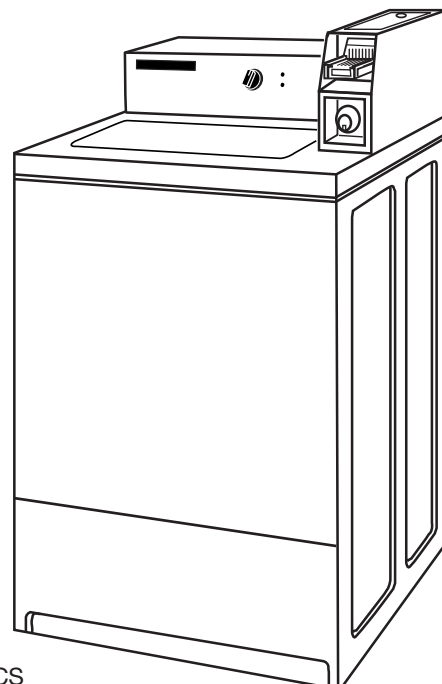
Modelos de 220 y 240 voltios, 50 Hz

LAVATRICE COMMERCIALE ISTRUZIONI D'INSTALLAZIONE

Modelli a 220-240 V, 50 Hz



MAT15MN



MAT14CS

Table of Contents

WASHER SAFETY	3	INSTALLATION INSTRUCTIONS	6
WASHER DISPOSAL	3	Remove Shipping Strap	6
INSTALLATION REQUIREMENTS	4	Connect the Hoses	6
Tools and Parts.....	4	Level the Washer	7
Location Requirements	4	Complete Installation	8
Drain System.....	5	WARRANTY	9
Electrical Requirements	5		

Table des matières

SECURITE DE LA LAVEUSE	10	INSTRUCTIONS D'INSTALLATION	14
ÉLIMINATION DU LAVE-LINGE	10	Enlever la sangle d'expédition	14
EXIGENCES D'INSTALLATION	11	Raccordement des tuyaux	14
Outillage et pièces	11	Réglage de l'aplomb du lave-linge	15
Exigences d'emplacement	11	Achever l'installation	16
Système de vidange	12	GARANTIE	17
Spécifications électriques.....	13		

Índice

SEGURIDAD DE LA LAVADORA	18	INSTRUCCIONES DE INSTALACIÓN	21
ELIMINACIÓN DE LA LAVADORA	18	Cómo quitar la correa de embalaje	21
REQUISITOS DE INSTALACIÓN	18	Conecte las mangueras	21
Piezas y herramientas	18	Nivelación de la lavadora	22
Requisitos de ubicación	19	Complete la instalación	23
Sistema de desagüe.....	20	GARANTIA	24
Requisitos eléctricos	20		

Sommario

SICUREZZA DELLA LAVATRICE	25	ISTRUZIONI D'INSTALLAZIONE	29
L'ELIMINAZIONE DELLA LAVATRICE	25	Rimozione delle fascette d'imballaggio	29
REQUISITI D'INSTALLAZIONE	26	Connessione dei tubi	29
Attrezzi e componenti.....	26	Livellamento della lavatrice	30
Requisiti di posizionamento	26	Installazione completa	31
Sistema di scarico	27	GARANZIA	32
Requisiti elettrici.....	28		

WASHER SAFETY

Your safety and the safety of others are very important.

We have provided many important safety messages in this manual and on your appliance. Always read and obey all safety messages.



This is the safety alert symbol.

This symbol alerts you to potential hazards that can kill or hurt you and others.

All safety messages will follow the safety alert symbol and either the word "DANGER" or "WARNING."

These words mean:

! DANGER

You can be killed or seriously injured if you don't immediately follow instructions.

! WARNING

You can be killed or seriously injured if you don't follow instructions.

All safety messages will tell you what the potential hazard is, tell you how to reduce the chance of injury, and tell you what can happen if the instructions are not followed.

WASHER DISPOSAL



This appliance is marked according to the European directive 2002/ 96/ EC on Waste Electrical and Electronic Equipment (WEEE).

By ensuring this product is disposed of correctly, you will help avoid potential negative consequences for the environment and human health, which could otherwise be caused by inappropriate waste handling of this product.

The symbol on the product, or on the documents accompanying the product, indicates that this appliance may not be treated as household waste. Instead it shall be handed over to the applicable collection point for the recycling of electrical and electronic equipment.

Disposal must be carried out in accordance with local environmental regulations for waste disposal.

For more detailed information about treatment, recovery and recycling of this product, please contact your local city office, your household waste disposal service or the shop where you purchased the product.

INSTALLATION REQUIREMENTS

Tools and Parts

Gather the required tools and parts before starting installation.

Tools needed

- Level
- Utility knife
- Scissors
- 200 mm (8") or 250 mm (10") adjustable wrench
- Flat-blade screwdriver
- Pliers
- Bucket

Parts supplied

Remove parts bag from washer. Check that all parts were included.

- 1 Hose clamp
- 2 Inlet hoses
- 4 Flat water hose washers
- 2 Front-leveling legs with nuts
- 1 Drain hose
- Hose adapter

Technical Specifications:
220 – 240 V, 50 Hz. AC
650 Watts

Clothes Capacity:
MAT14CS: 5.9 Kg Max.
MAT15MN: 8.2 Kg Max.

Location Requirements

IMPORTANT: Do not install or store the washer where it will be exposed to the weather. Do not store or operate the washer in temperatures at or below 0°C (32°F). Some water can remain in the washer and can cause damage in low temperatures.

Proper installation is your responsibility.

You will need:

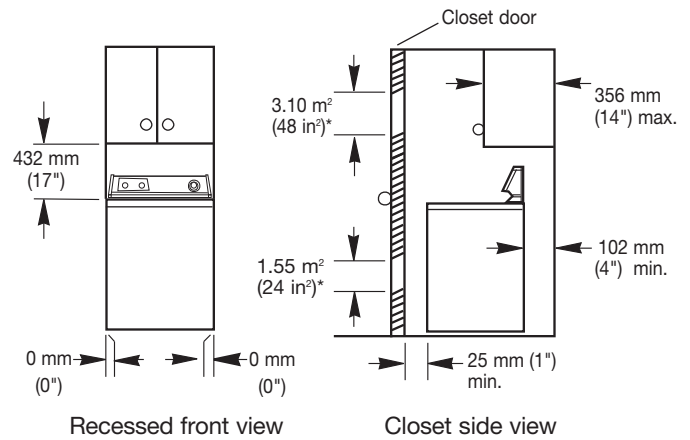
- A water heater set to deliver 60°C (140°F) water to the washer.
- An earthed electrical outlet located within 1.2 m (4 ft) of where the power cord is attached to the back of the washer. See "Electrical Requirements."
- Hot and cold water taps located within 1.2 m (4 ft) of the back of the washer, and provide water pressure of 69-690 kPa (10-100 psi). A pressure reduction valve should be used in the supply line where inlet pressure entering the building exceeds 690 kPa (100 psi) to prevent damage to the washer mixing valve.
- A level floor with a maximum slope of 25 mm (1") under entire washer.
- A sturdy floor to support the washer weight (washer, water, and load) of 143 kgs (315 lbs).

Recessed Area and Closet Installation Instructions

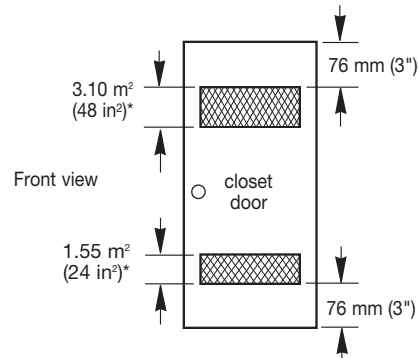
This washer may be installed in a recessed area or closet.

The installation spacing is in inches and is the minimum allowable. Additional spacing should be considered for ease of installation, servicing, and compliance with local codes and ordinances.

If closet door is installed, the minimum unobstructed air openings in the top and bottom are required. Louvered doors with equivalent air openings are acceptable.



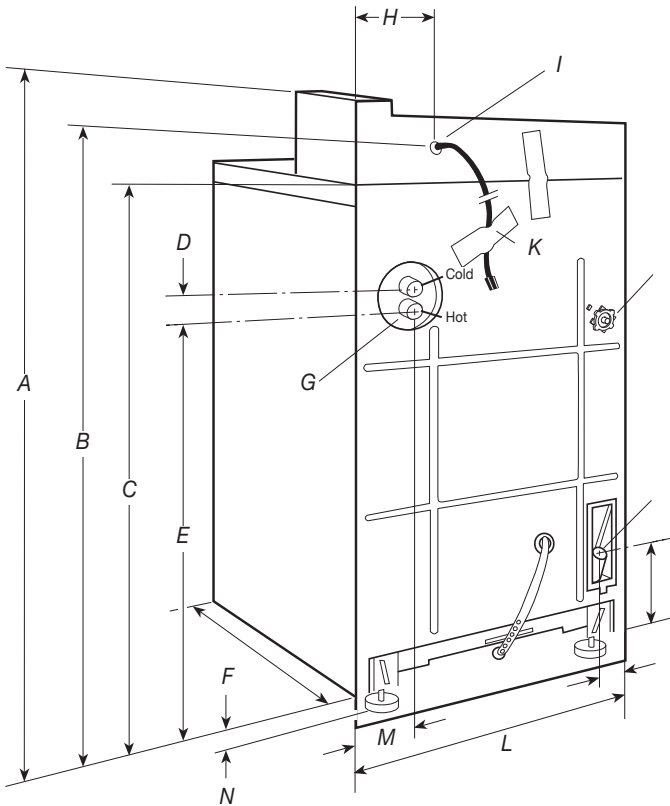
Recessed front view Closet side view



*Opening is the minimum for a closet door.
Louvered doors with equivalent air openings are acceptable.

- Additional spacing should be considered for the ease of installation and servicing.
- Additional clearances may be required for wall, door, and floor mouldings.
- Additional spacing of 25 mm (1") on all sides of the washer is recommended to reduce noise transfer.
- Companion spacing should also be considered.

Product Dimensions



A. 1.09 m (43")	I. Power supply cord
B. 970 mm (38 1/8")	J. Drain hose connector
C. 890 mm (35")	K. Label
D. 38 mm (1 1/2")	L. 685 mm (27")
E. 705 mm (27 3/4")	M. 133 mm (5 1/4")
F. 650 mm (25 1/2")	N. 25 mm (1")
G. Water inlets	O. Water level switch and shaft
H. 180 mm (7")	P. 127 mm (5")

Drain System

Standpipe Drain System

The standpipe drain requires a minimum diameter standpipe of 50 mm (2"). The minimum carry-away capacity can be no less than 64 L (17 gal.) per minute.

The top of the standpipe must be at least 990 mm (39") high and no higher than 1.83 m (72") from the bottom of the washer.

Electrical Requirements

⚠ WARNING



Electric Shock Hazard

Electrically earth this appliance.

Do not use an extension cord or an electrical portable outlet device.

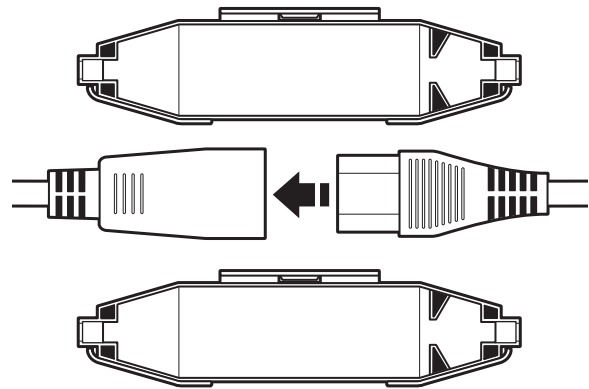
Failure to follow these instructions can result in death, fire, or electric shock.

- A 220-240 volt, 50 Hz., AC only, 10-amp, fused electric supply is required. A time-delay fuse or circuit breaker is recommended. It is recommended that a separate circuit serving only this appliance be provided.
- This washer is equipped with a power supply cord having an earthing plug. The plug should be accessible for disconnection from the supply.
- If the supply cord is damaged, it must be replaced by the manufacturer, its service agent, or similarly qualified persons in order to avoid a hazard.

Using the universal cord included with this washer:

This washer is equipped with a universal cord with interchangeable mains plugs.

1. Select the appropriate mains plug assembly from those supplied and attach it to the mains cord connector.
2. Snap the 2 halves of the cord lock together over the connector to retain it in position.



Recommended Earthing Method

EARTHING INSTRUCTIONS

This washer must be earthed. In the event of a malfunction or breakdown, earthing will reduce the risk of electric shock by providing a path of least resistance for electric current. This washer is equipped with a cord having an equipment-earthing conductor and an earthing plug. The plug must be plugged into an appropriate outlet that is properly installed and earthed in accordance with all local codes and ordinances.

WARNING: Improper connection of the equipment-earthing conductor can result in a risk of electric shock. Check with a qualified electrician or serviceman if you are in doubt as to whether the appliance is properly earthed.

Do not modify the plug provided with the appliance – if it will not fit the outlet, have a proper outlet installed by a qualified electrician.

INSTALLATION INSTRUCTIONS

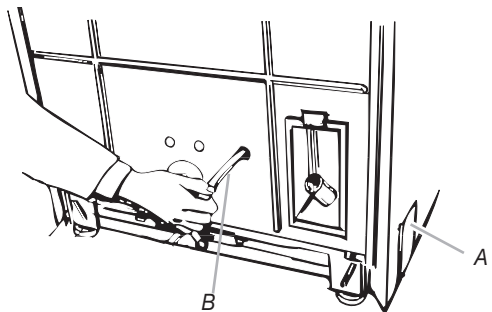
Remove Shipping Strap

⚠ WARNING

Excessive Weight Hazard

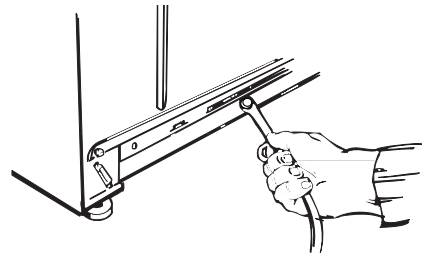
**Use two or more people to move and install washer.
Failure to do so can result in back or other injury.**

1. Remove tape that covers the shipping strap. Pull to completely remove the shipping strap with 2 cotter pins from the inside of the washer.



A. Shipping tape
B. Shipping strap

2. Pull firmly to remove the end of shipping strap from the back of the washer. The shipping strap plug must be completely removed from the washer for the self-leveling legs to be released.



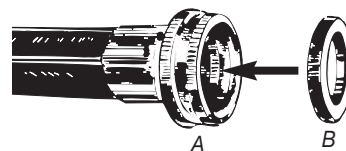
Save the shipping strap for later use.

Connect the Hoses

Proper connection of the drain hose avoids damage to your floors due to water leakage. Read and follow these instructions.

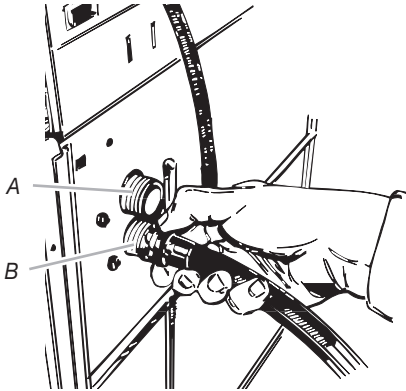
Connect the inlet hose

1. The washer must be connected to the water taps using the new inlet hoses supplied with the machine. Do not re-use old hoses. Insert new flat washers (supplied) into each end of the inlet hoses. Firmly seat the washers in the couplings.



A. Coupling
B. Washer

- Attach hose to bottom inlet valve opening first.



A. Cold water inlet valve
B. Hot water inlet valve

- Attach second hose to top inlet. Tighten couplings by hand; then use pliers to make an additional two-thirds turn.

NOTE: Inlet valve threads are plastic. Do not strip or cross-thread.

Connect the drain hose

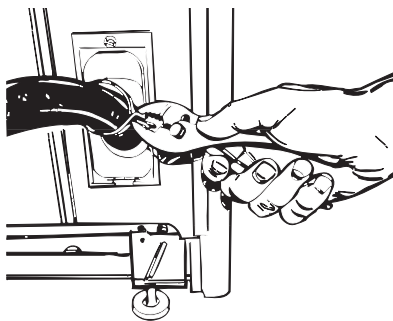
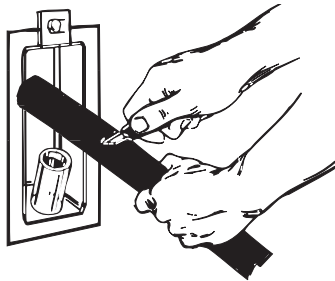
NOTE: Slide washer onto cardboard or hardboard before moving across floor.

- Move washer close to final position.
- Put “hook” end of drain hose into laundry tub or standpipe.
- Estimate the length of drain hose needed when washer is in final position. Hose must be cut exactly to length so “hook” end is held tightly over edge of standpipe.

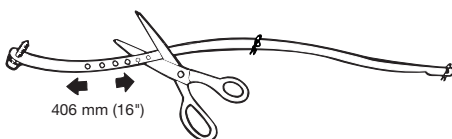
If drain hose is too long, cut straight end of hose. (Do not cut the “hook” shaped end of the drain hose.)

NOTE: Do not force excess length of drain hose down the standpipe. This could cause siphoning.

- Place the hose clamp over the washer drain connector. Push the drain hose onto the washer connector. Use pliers to open clamp and slide clamp over drain hose. Check for good fit.

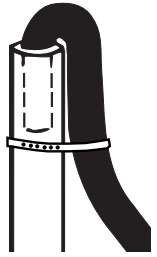


- Measure and mark a point approximately 406 mm (16") from the plug end of the shipping strap. Cut shipping strap at this point.



- Check that hose is not twisted or kinked and is securely in place.

Put “hook” end of drain hose into standpipe. Tightly wrap the shipping strap around the standpipe. Push plug into the nearest hole in the shipping strap.



Connect the inlet hoses to the water taps

- Before attaching water inlet hoses to the water taps, run water through both taps into a bucket. This will get rid of particles in water lines that might clog hoses. Mark which is the hot water tap.
- Install a black plastic tap adapter on each inlet hose.
- Attach bottom hose (inlet marked “H”) to hot water taps. Tighten coupling to taps by hand.
- Attach top hose (inlet marked “C”) to cold water taps. Tighten coupling to taps by hand.
- Use pliers to make an additional two-thirds turn to each coupling.

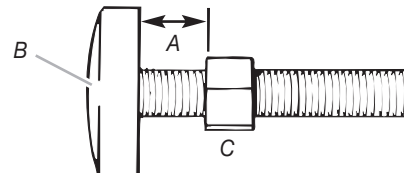
Level the Washer

Install the front leveling feet

- Stack two corner posts on top of each other. Tilt washer backward and insert corner posts 76 mm (3") in from one side of washer as shown. Repeat with other corner posts on other side of washer.

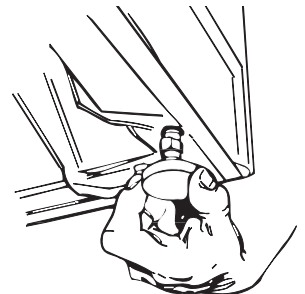


- Use the leveling legs and nuts from parts package. Screw nut down to within 13 mm (1/2") from base.



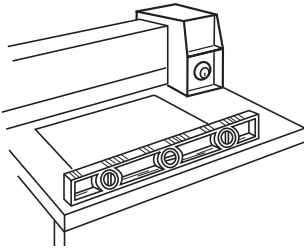
A. 13 mm (1/2")
B. Base
C. Nut

- Insert legs into correct holes at each front corner of washer until nuts touch washer. Do not tighten nuts until the washer is leveled.
- Tilt washer backward and remove corner posts. Gently lower washer to floor.
- Move washer to its permanent location. Remove cardboard or hardboard from under washer.

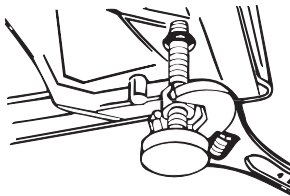


Level the washer

1. Tilt washer forward raising back legs 25 mm (1") off of floor. To adjust rear self-leveling legs, gently lower washer to floor.
2. Check levelness of the washer by placing a carpenter's level on top of the washer, first side to side; then front to back.



3. If washer is not level, adjust the front legs up or down. Make final check with level.
4. When washer is level, use a wrench to turn the nuts on front legs up tightly against washer base. If nuts are not tight against washer base, the washer may vibrate.



Complete Installation

1. Check the electrical requirements. Be sure that you have the correct electrical supply and the recommended earthing method.
2. Check that all parts are now installed. If there is an extra part, go back through the steps to see which step was skipped.
3. Turn on water taps and check for leaks. Tighten couplings if there is leaking. Do not overtighten; this could cause damage to the taps.
4. Be sure you have all of your tools.
5. Check that the shipping strap was removed from the back of the washer and used to secure the drain hose. If entire strap is not removed, washer may vibrate and be noisy.
6. Plug power supply cord into an earthed outlet.

NOTE: On some models, during factory testing, the timer is advanced partially into the cycle causing the start button to be depressed. Allow timer to advance to the end of the cycle. When the cycle is complete, the timer will reset and the start button will return to the start position. If the timer is not allowed to advance to the end of the first cycle and reset, the wash load will not be completed.

Checklist for washer operation

Check the following if the washer is not operating properly:

1. Power supply cord is plugged in.
2. Circuit breaker is not tripped or fuse is not blown.
3. Timer has been advanced to start of a cycle.
4. Water taps are turned on.
5. Inlet and drain hoses are not kinked.
6. Washer lid is closed.
7. Inlet valve can freeze if not protected from the weather.
8. Suds level. Excess suds will slow the spin and cause poor rinsing. Operate the washer through a complete cycle with no detergent. Use less detergent or a controlled suds type detergent in future loads.

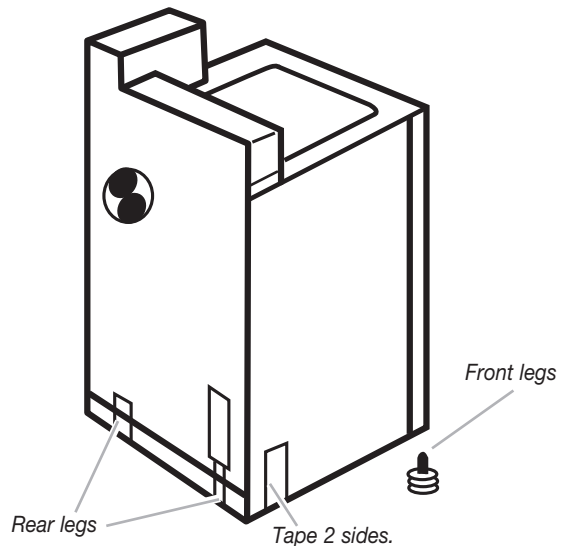
If you need assistance:

Contact your authorized Maytag® Commercial Laundry distributor. To locate your authorized Maytag® Commercial Laundry distributor, or for web inquiries, visit www.MaytagCommercialLaundry.com.

When you call, you will need the washer model number and serial number. Both numbers can be found on the serial-rating plate located on your appliance.

Moving the washer to a new location

- Remove the front legs from the base of the washer.
- Place both rear leveling legs in the upper position and tape securely.
- Apply tape to the side and bottom of the cabinet near the rear.
- Open washer lid, wedge a blanket between the tub ring and the cabinet top restricting the tub movement.



MAYTAG® COMMERCIAL SINGLE-LOAD AND VENDED MULTI-LOAD WASHER AND DRYER WARRANTY

LIMITED WARRANTY ON PARTS

For the first five years from the date of purchase, when this commercial appliance is installed, maintained and operated according to the instructions attached to or furnished with the product, Maytag brand of Whirlpool Corporation (hereafter "Maytag") will pay for factory specified parts or original equipment manufacturer parts to correct defects in materials or workmanship. Proof of original purchase date is required to obtain service under this warranty.

ITEMS MAYTAG WILL NOT PAY FOR

1. All other costs including labor, transportation, or custom duties.
 2. Service calls to correct the installation of your commercial appliance, to instruct you how to use your commercial appliance, to replace or repair fuses, or to correct external wiring or plumbing.
 3. Repairs when your commercial appliance is used for other than normal, commercial use.
 4. Damage resulting from improper handling of product during delivery, theft, accident, alteration, misuse, abuse, fire, flood, acts of God, improper installation, installation not in accordance with local electrical or plumbing codes, or use of products not approved by Maytag.
 5. Pickup and Delivery. This commercial appliance is designed to be repaired on location.
 6. Repairs to parts or systems resulting from unauthorized modifications made to the commercial appliance.
 7. The removal and reinstallation of your commercial appliance if it is installed in an inaccessible location or is not installed in accordance with published installation instructions.
 8. Chemical damage is excluded from all warranty coverage.
 9. Changes to the building, room, or location needed in order to make the commercial appliance operate correctly.
 10. Repairs made by a non-Whirlpool authorized service technician.
-

DISCLAIMER OF IMPLIED WARRANTIES; LIMITATIONS OF REMEDIES

CUSTOMER'S SOLE AND EXCLUSIVE REMEDY UNDER THIS LIMITED WARRANTY SHALL BE PRODUCT REPAIR AS PROVIDED HEREIN. IMPLIED WARRANTIES, INCLUDING WARRANTIES OF MERCHANTABILITY OR FITNESS FOR A PARTICULAR PURPOSE, ARE LIMITED TO ONE YEAR OR THE SHORTEST PERIOD ALLOWED BY LAW. WHIRLPOOL SHALL NOT BE LIABLE FOR INCIDENTAL OR CONSEQUENTIAL DAMAGES. SOME STATES AND PROVINCES DO NOT ALLOW THE EXCLUSION OR LIMITATION OF INCIDENTAL OR CONSEQUENTIAL DAMAGES, OR LIMITATIONS ON THE DURATION OF IMPLIED WARRANTIES OF MERCHANTABILITY OR FITNESS, SO THESE EXCLUSIONS OR LIMITATIONS MAY NOT APPLY TO YOU. THIS WARRANTY GIVES YOU SPECIFIC LEGAL RIGHTS AND YOU MAY ALSO HAVE OTHER RIGHTS, WHICH VARY FROM STATE TO STATE OR PROVINCE TO PROVINCE.

If you need service, please contact your authorized Maytag® Commercial Laundry distributor. To locate your authorized Maytag® Commercial Laundry distributor, or for web inquiries, visit www.MaytagCommercialLaundry.com.

3/10

For written correspondence:

Maytag® Commercial Laundry Service Department
2000 M-63 North
Benton Harbor, Michigan 49022 USA

SECURITE DU LAVE-LINGE

Votre sécurité et celle des autres est très importante.

Nous donnons de nombreux messages de sécurité importants dans ce manuel et sur votre appareil ménager. Assurez-vous de toujours lire tous les messages de sécurité et de vous y conformer.



Voici le symbole d'alerte de sécurité.

Ce symbole d'alerte de sécurité vous signale les dangers potentiels de décès et de blessures graves à vous et à d'autres.

Tous les messages de sécurité suivront le symbole d'alerte de sécurité et le mot "DANGER" ou "AVERTISSEMENT". Ces mots signifient :

⚠ DANGER

Risque possible de décès ou de blessure grave si vous ne suivez pas immédiatement les instructions.

⚠ AVERTISSEMENT

Risque possible de décès ou de blessure grave si vous ne suivez pas les instructions.

Tous les messages de sécurité vous diront quel est le danger potentiel et vous disent comment réduire le risque de blessure et ce qui peut se produire en cas de non-respect des instructions.

ÉLIMINATION DU LAVE-LINGE



Le marquage de l'appareil est conforme à la directive européenne 2002/ 96/ EC sur les équipements électroniques et électriques, pour gestion des déchets.

En veillant à l'élimination correcte de ce produit, vous éviterez d'éventuelles conséquences néfastes pour l'environnement et la santé humaine qui peuvent être associées au traitement inapproprié de ce produit lorsqu'il a été mis au rebut.

Le symbole figurant sur le produit ou dans les documents qui accompagnent le produit indique que cet appareil ne doit pas être traité comme déchet ménager; on doit plutôt le remettre à un centre de collecte spécialisé pour le recyclage des équipements électriques et électroniques.

L'élimination de ce produit après mise au rebut doit être effectuée conformément aux prescriptions de la réglementation locale de protection de l'environnement.

Pour l'information détaillée concernant le traitement, le recyclage et la récupération de ce produit, contacter la municipalité locale, le service d'élimination des déchets ménagers, ou le commerçant qui a vendu le produit.

EXIGENCES D'INSTALLATION

Outillage et pièces

Rassembler les outils et pièces nécessaires avant d'entreprendre l'installation.

Outils nécessaires

- Niveau
- Couteau utilitaire
- Ciseaux
- Clé à mollette de 200 mm (8") ou 250 mm (10")
- Tournevis à lame plate
- Pince
- Seau

Pièces fournies

Retirer les pièces du lave-linge. Vérifier la présence de toutes les pièces.

- 1 bride de fixation
- 2 tuyaux d'arrivée d'eau
- 4 rondelles plates de tuyau d'arrivée d'eau
- 2 pieds de nivellement avant avec écrous
- 1 tuyau de vidange
- 1 adaptateur de tuyau

Spécifications techniques :
220 à 240 V, 50 Hz CA
650 Watts

Capacité de vêtements :
MAT14CS: 5,9 kg max.
MAT15MN: 8,2 kg max.

Exigences d'emplacement

IMPORTANT : Ne pas installer ou remiser le lave-linge dans un endroit où il sera exposé aux intempéries. Ne pas remiser ou faire fonctionner le lave-linge à des températures inférieures ou égales à 0°C (32°F). Une quantité d'eau peut demeurer dans le lave-linge et causer des dommages à des températures basses.

C'est à l'utilisateur qu'incombe la responsabilité de réaliser une installation correcte.

Il vous faudra :

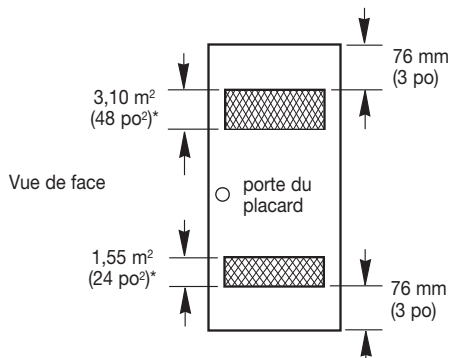
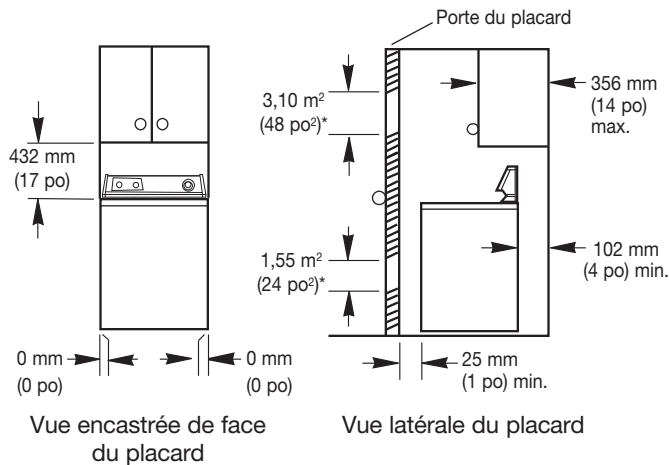
- Un chauffe-eau pour fournir de l'eau à 60°C (140°F) au lave-linge.
- Une prise électrique reliée à la terre située à moins de 1,2 m (4 pi) de la prise du cordon électrique se trouvant à l'arrière du lave-linge. Voir "Spécifications électriques".
- Des robinets d'eau chaude et d'eau froide situés à 1,2 m (4 pi) ou moins de l'arrière du lave-linge, et une pression d'eau de 69 à 690 kPa (10 à 100 lb/po²). Lorsque la pression d'alimentation à l'entrée du bâtiment est supérieure à 690 kPa (100 lb/po²), on devrait installer une vanne de réduction de la pression pour éviter une éventuelle détérioration de la vanne de mixage du lave-linge.
- Un plancher de niveau ayant une pente maximale de 25 mm (1") sous l'ensemble du lave-linge.
- Un plancher robuste pour supporter le lave-linge dont le poids total (lave-linge, eau et charge) est de 143 kg (315 lb).

Instructions d'installation dans un encastrement ou un placard

Ce lave-linge peut être installé dans un encastrement ou un placard.

Les dimensions d'installation illustrées sont en centimètres et constituent le minimum applicable. Un espace supplémentaire peut être nécessaire pour faciliter l'installation, l'entretien et pour observer les codes et règlements locaux en vigueur.

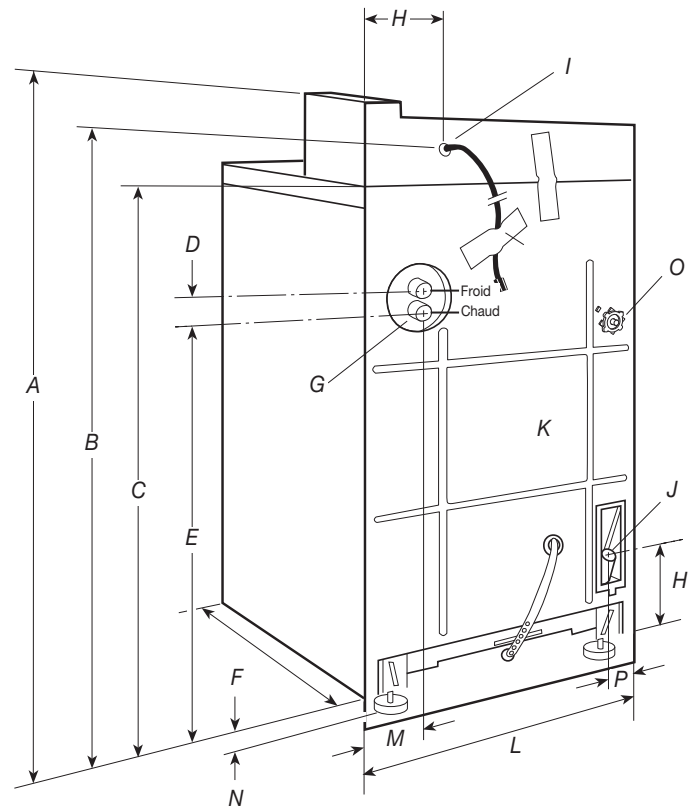
Si une porte de placard est installée, des ouvertures d'évacuation de l'air minimales sont nécessaires dans les parties supérieure et inférieure. Les portes à claire-voie offrant des ouvertures équivalentes sont acceptables.



*Dimension minimale pour une porte de placard.
Les portes à claire-voie offrant des ouvertures équivalentes sont acceptables.

- Un espace supplémentaire peut être nécessaire pour faciliter l'installation, l'entretien.
- Un espace supplémentaire peut être requis pour les moulures de porte et de plancher et pour les plinthes.
- Un espace supplémentaire de 25 mm (1 po) de tous les côtés de la lave-linge est recommandé pour réduire le transfert du bruit.
- Il faut aussi prendre en compte l'espace requis entre les appareils voisins.

Dimensions du produit



- A. 1,09 m (43 po)
- B. 970 mm (38 7/8 po)
- C. 890 mm (35 po)
- D. 38 mm (1 1/2 po)
- E. 705 mm (27 3/4 po)
- F. 650 mm (25 1/2 po)
- G. Arrivées d'eau
- H. 180 mm (7 po)
- I. Cordon d'alimentation électrique
- J. Connecteur du tuyau de vidange
- K. Étiquette
- L. 685 mm (27 po)
- M. 133 mm (5 1/4 po)
- N. 25 mm (1 po)
- O. Commutateur du niveau d'eau et tige de réglage
- P. 127 mm (5 po)

Système de vidange

Système de vidange avec tuyau de rejet à l'égout

Le système de rejet à l'égout nécessite un tuyau de diamètre minimum de 50 mm (2 po). La capacité minimum de vidange ne peut pas être inférieure à 64 L (17 gal.) par minute.

Le sommet du tuyau de rejet à l'égout doit être au moins à 990 mm (39 po) de hauteur et au maximum à 1,83 m (72 po) de la base de la lave-linge.

⚠ AVERTISSEMENT



Risque de choc électrique

Brancher sur une prise reliée à la terre.

Ne pas utiliser un câble de rallonge ou un adaptateur.

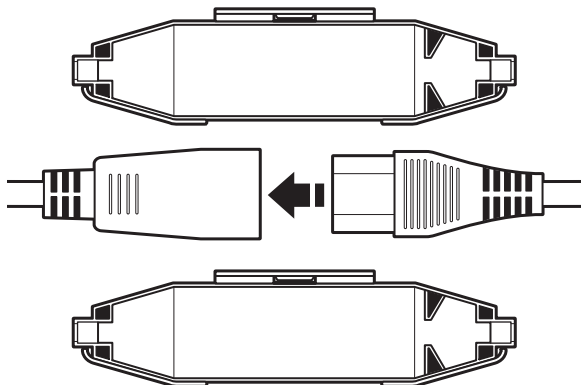
Le non-respect de ces instructions peut causer un décès, un incendie ou un choc électrique.

- L'appareil doit être alimenté par un circuit de 220-240 V, CA seulement, 50 Hz, protégé par un fusible. On recommande d'utiliser un fusible ou un disjoncteur temporisé. Il est recommandé de raccorder la lave-linge sur un circuit distinct exclusif à cet appareil.
- Ce lave-linge comporte un cordon d'alimentation électrique pour liaison à la terre. La prise doit être accessible pour pouvoir déconnecter l'appareil de l'alimentation électrique.
- Si le cordon d'alimentation est endommagé, il doit être remplacé par le fabricant, son agent de service ou toute autre personne qualifiée afin d'éviter tout danger.

À l'aide du cordon universel d'alimentation électrique fourni avec ce lave-linge :

Ce lave-linge comporte un cordon universel avec des prises principales interchangeables.

1. Sélectionner la prise principale appropriée parmi les prises fournies et la fixer au connecteur du cordon de câblage principal.
2. Enclencher les deux moitiés du système de retenue du cordon sur le connecteur pour le maintenir en place.



Méthode recommandée de mise à la terre

INSTRUCTIONS DE LIAISON À LA TERRE

Ce lave-linge doit être relié la terre. En cas d'anomalie de fonctionnement ou de panne, la liaison à la terre réduira le risque de choc électrique en offrant au courant électrique un itinéraire d'évacuation de moindre résistance. Ce lave-linge est alimenté par un cordon électrique comportant un conducteur relié à la terre et une fiche de branchement munie d'une broche de liaison à la terre. La fiche doit être branchée sur une prise de courant appropriée qui est bien installée et reliée la terre conformément à tous les codes et règlements locaux.

AVERTISSEMENT : Le raccordement incorrect de cet appareil au conducteur de liaison la terre peut susciter un risque de choc électrique. En cas de doute quant à la qualité de la liaison la terre de l'appareil, consulter un électricien ou technicien d'entretien qualifié.

Ne pas modifier la fiche de branchement fournie avec l'appareil si la fiche ne correspond pas à la configuration de la prise de courant, demander à un électricien qualifié d'installer une prise de courant convenable.

INSTRUCTIONS D'INSTALLATION

Enlever la sangle d'expédition

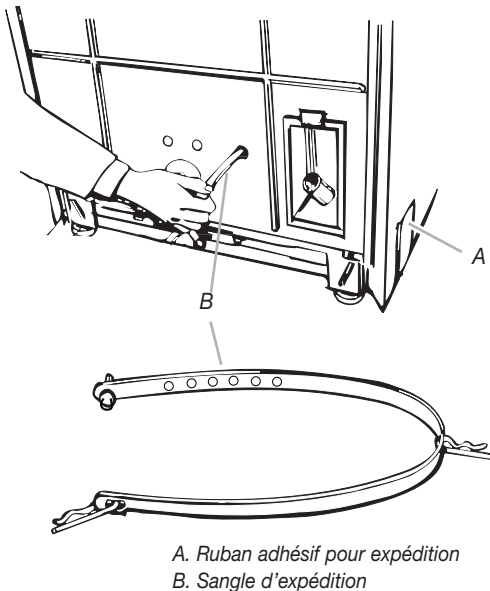
⚠ AVERTISSEMENT

Risque du poids excessif

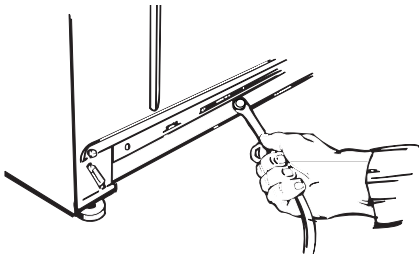
Utiliser deux ou plus de personnes pour déplacer et installer le lave-linge.

Le non-respect de cette instruction peut causer une blessure au dos ou d'autre blessure.

1. Enlever le ruban adhésif qui recouvre la sangle d'expédition. Tirer pour extraire complètement la sangle et les 2 goupilles qui se trouvent à l'intérieur du lave-linge.



2. Tirer fermement pour extraire l'extrémité de la sangle d'expédition de l'arrière du lave-linge. Pour la libérer les pieds de réglage de l'aplomb, il faut que le piton de la sangle d'expédition soit complètement extraite de la machine.



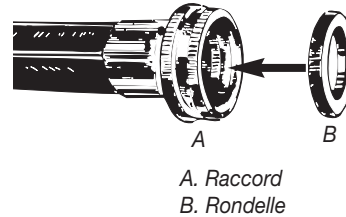
Conserver la sangle d'expédition pour réutilisation éventuelle.

Raccordement des tuyaux

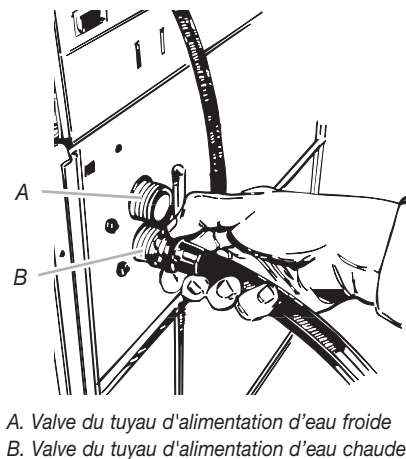
Le bon acheminement du tuyau de vidange protège vos planchers contre les dommages imputables à une fuite d'eau. Lire et suivre ces instructions.

Connecter les tuyaux d'alimentation au lave-linge

1. Le lave-linge doit être raccordé aux robinets d'eau à l'aide des nouveaux tuyaux d'arrivée d'eau fournis avec la machine. Ne pas réutiliser de tuyaux usagés. Insérer les rondelles plates neuves (fournies) dans chaque extrémité des tuyaux d'arrivée d'eau. Insérer fermement les rondelles dans les raccords.



2. Fixer d'abord le tuyau à la valve d'arrivée d'eau inférieure.



3. Fixer le second tuyau à la valve d'arrivée d'eau supérieure. Serrer les raccords à la main, puis utiliser une pince et serrer de deux tiers de tour en plus.

REMARQUE : Les fils des valves de tuyau d'arrivée d'eau sont en plastique. Veiller à ne pas dénuder ou détériorer les filetages des raccords.

Connecter le tuyau de vidange

REMARQUE : Faire glisser le lave-linge sur un carton ou une plaque de contreplaqué avant de la déplacer sur le plancher.

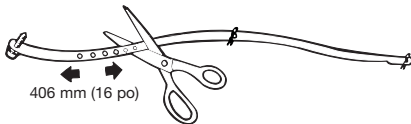
1. Placer la lave-linge près de son emplacement d'installation final.
2. Mettre l'extrémité en crochet du tuyau de vidange dans l'évier de buanderie ou dans le tuyau de rejet à l'égout.
3. Estimer la longueur de tuyau de vidange nécessaire lorsque le lave-linge est à son emplacement d'installation final. Il faut que le tuyau soit coupé à la longueur exacte qui permettra à l'extrémité en crochet d'être fermement retenue dans l'embouchure du tuyau de rejet à l'égout.

Si le tuyau de vidange est trop long, couper l'extrémité droite pour le raccourcir. (Ne jamais couper l'extrémité recourbée du tuyau de vidange.)

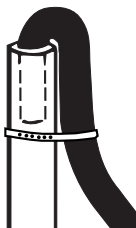
REMARQUE : Ne pas forcer une section excessive du tuyau de vidange à pénétrer dans le tuyau de rejet à l'égout, ceci pourrait provoquer un siphonnage.

4. Placer la bride de tuyau sur le raccord de vidange du lave-linge. Pousser le tuyau de vidange pour l'engager sur le raccord de connexion du lave-linge. Utiliser une pince pour ouvrir la bride de tuyau et la placer à l'emplacement approprié sur le tuyau de vidange. Vérifier que la bride est correctement placée et serrée.

5. Mesurer et marquer un point à approximativement 406 mm (16") de l'extrémité avec piton de la sangle d'expédition. Couper la sangle à cet endroit.



6. Vérifier que le tuyau n'est pas vrillé ou déformé et qu'il est fermement maintenu en place. Introduire l'extrémité recourbée du tuyau de vidange dans le tuyau de rejet à l'égout. Enlacer les deux tuyaux avec la sangle de transport. Introduire le piton dans le trou le plus proche de la sangle.



Connecter les tuyaux d'alimentation aux robinets d'eau

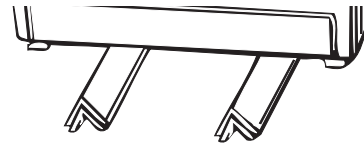
1. Avant de fixer les tuyaux d'alimentation, faire s'écouler l'eau des deux robinets dans un seau. Ceci éliminera les particules se trouvant dans les canalisations d'eau qui pourraient obstruer les tuyaux. Marquer le robinet d'eau chaude.
2. Installer une rondelle sur le robinet de chaque tuyau d'arrivée d'eau.
3. Fixer le tuyau d'alimentation inférieur (marqué "H") au robinet d'eau chaude. Serrer à la main les raccords au robinet.

4. Fixer le tuyau d'alimentation supérieur (marqué "C") au robinet d'eau froide. Serrer à la main les raccords au robinet.
5. Utiliser une pince et tourner chaque raccord de deux tiers de tour en plus.

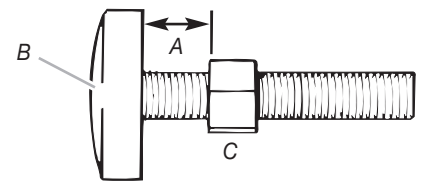
Réglage de l'aplomb du lave-linge

Installation des pieds de réglage de l'aplomb avant

1. Superposer deux cornières de carton d'emballage. Incliner le lave-linge vers l'arrière et insérer les cornières sous le lave-linge à 76 mm (3") de chaque côté – voir l'illustration.

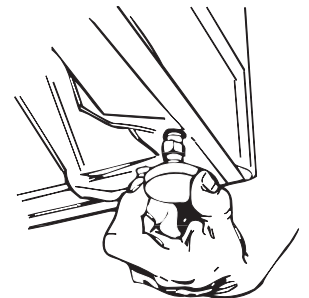


2. Trouver les pieds de réglage de l'aplomb et les écrous dans le sachet de pièces. Visser l'écrou jusqu'à de 13 mm (1/2") ou moins de la base.



A. 13 mm (1/2")
B. Base
C. Écrou

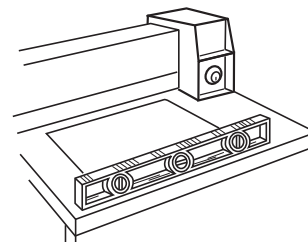
3. Insérer un pied dans le trou approprié dans chaque angle avant du lave-linge jusqu'à ce que l'écrou soit au contact de la base du lave-linge. Ne pas serrer les écrous avant que l'aplomb du lave-linge n'ait été établi.



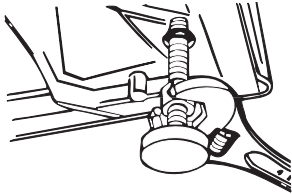
4. Incliner le lave-linge vers l'arrière et retirer les cornières de carton. Abaisser doucement le lave-linge pour le reposer au sol.
5. Déplacer le lave-linge jusqu'à son emplacement définitif. Retirer le carton ou la plaque de contreplaqué de dessous le lave-linge.

Réglage de l'aplomb du lave-linge

1. Incliner le lave-linge vers l'avant pour soulever les pieds arrière de 25 mm (1") pour l'ajustement des pieds arrière de réglage automatique de l'aplomb. Abaisser doucement le lave-linge jusqu'au sol.
2. Utiliser un niveau pour contrôler l'aplomb de la machine dans les deux directions, transversalement et avant-arrière.



3. Si le lave-linge n'est pas d'aplomb, régler la longueur de déploiement des pieds avant. Utiliser le niveau pour un contrôle final.
4. Lorsque le lave-linge est d'aplomb, utiliser une clé pour serrer chaque écrou des pieds avant au contact de la base du lave-linge. Si les écrous ne sont pas suffisamment serrés contre la base, le lave-linge pourrait vibrer.



Achever l'installation

1. Consulter les spécifications électriques. Vérifier que la tension électrique disponible est correcte et que la prise de courant est convenablement reliée à la terre.
2. Vérifier que toutes les pièces sont maintenant installées. S'il reste une pièce, passer en revue les différentes étapes pour découvrir laquelle aurait été oubliée.
3. Ouvrir les robinets d'eau et vérifier s'il y a des fuites. Serrer les raccords en cas de fuites. Ne pas serrer excessivement, ceci pourrait endommager les robinets.
4. S'assurer d'avoir récupéré tous vos outils.
5. Vérifier que la sangle d'expédition a été retirée à l'arrière du lave-linge et qu'il a été utilisé pour l'arrimage du tuyau de vidange. Si la sangle n'a pas été totalement retirée, le lave-linge peut vibrer et être bruyant.
6. Brancher le cordon électrique dans une prise reliée à la terre.

REMARQUE : Sur certains modèles, lors des tests à l'usine, le bouton de la minuterie est engagé (exécution partielle d'un programme) et le bouton de mise en marche est enfoncé. Laisser la minuterie provoquer la poursuite du programme jusqu'à la fin. Lorsque le programme est terminé, la minuterie se réarme et le bouton reprend sa position de mise en marche. Si on ne laisse pas la minuterie commander le déroulement du programme jusqu'à la fin et le réarmement, le lavage de la première charge ne sera pas exécuté correctement.

Liste de contrôle pour le fonctionnement du lave-linge :

Si le lave-linge ne fonctionne pas correctement, vérifier ce qui suit :

1. Le cordon d'alimentation est branché.
2. Le disjoncteur ne s'est pas déclenché ou aucun fusible n'est grillé.
3. La minuterie a été avancée pour commencer un programme.
4. Les robinets d'eau chaude et d'eau froide sont ouverts.
5. Les tuyaux d'arrivée d'eau et de vidange ne sont pas déformés.
6. Le couvercle du lave-linge est fermé.
7. La valve d'arrivée d'eau n'est pas gelée si elle n'est pas protégée des intempéries.
8. Niveau de mousse. Une quantité excessive de mousse ralentira l'essorage et produira un rinçage médiocre. Exécuter un programme complet sans utiliser de détergent. Utiliser moins de détergent ou un détergent au niveau de mousse contrôlé pour les prochaines charges.

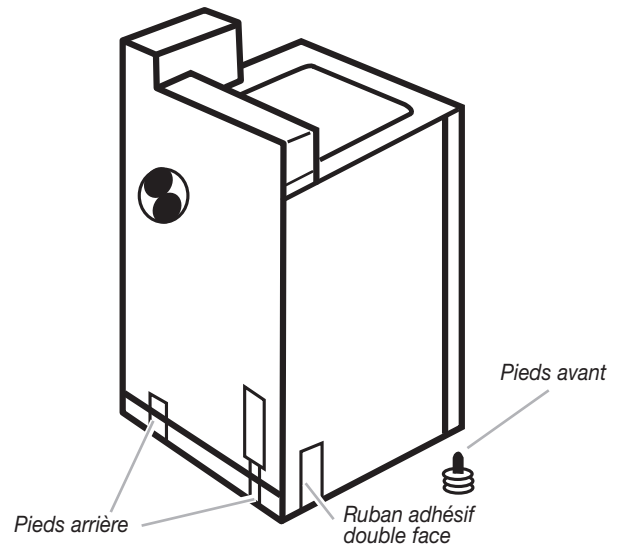
Si vous avez besoin d'assistance :

Communiquer avec votre distributeur d'ensemble de buanderie commercial Maytag® autorisé. Pour localiser votre distributeur d'ensemble de buanderie commercial Maytag® autorisé, ou pour des demandes de renseignements sur Internet, visitez le site Web www.MaytagCommercialLaundry.com.

Lors de l'appel, vous aurez besoin des numéros de modèle et de série du lave-linge. Les deux numéros sont indiqués sur la plaque signalétique de l'appareil.

En cas de déplacement du lave-linge à un nouvel emplacement

- Retirer les pieds avant de la base du lave-linge.
- Placer les deux pieds de nivellement arrière en position élevée et fixer à l'aide de ruban adhésif.
- Appliquer du ruban adhésif sur les côtés et le bas du placard à l'arrière de celui-ci.
- Ouvrir le couvercle du lave-linge; insérer une couverture entre la couronne de la cuve et le sommet de la caisse pour limiter les mouvements de la cuve.



GARANTIE DE LA LAVEUSE ET SÉCHEUSE COMMERCIALES À CHARGE UNIQUE OU MULTI-CHARGE PAYANTES

GARANTIE LIMITÉE SUR LES PIÈCES

Pendant les cinq premières années à compter de la date d'achat, lorsque cet appareil ménager à usage commercial est installé, entretenu et utilisé conformément aux instructions jointes ou fournies avec le produit, la marque Maytag de Whirlpool Corporation (ci-après désignée "Maytag") paiera pour les pièces spécifiées par l'usine ou pour les pièces originales du fabricant de l'équipement pour corriger tout vice de matériau ou de fabrication. Une preuve de la date d'achat d'origine est exigée pour obtenir un service dans le cadre de la présente garantie.

MAYTAG NE PRENDRA PAS EN CHARGE :

1. Tout autre coût y compris la main-d'œuvre, le transport ou les droits de douane.
2. Les visites de service pour rectifier l'installation de l'appareil ménager à usage commercial, montrer à l'utilisateur comment utiliser l'appareil ménager à usage commercial, remplacer ou réparer des fusibles ou rectifier le câblage ou la plomberie du domicile.
3. Les réparations lorsque l'appareil ménager à usage commercial est utilisé à des fins autres qu'un usage commercial normal.
4. Les dommages imputables à : mauvaise manipulation du produit lors de la livraison, vol, accident, modification, usage impropre ou abusif, incendie, inondation, actes de Dieu, installation fautive ou installation non conforme aux codes locaux d'électricité ou de plomberie, ou l'utilisation de produits non approuvés par Maytag.
5. Le ramassage et la livraison. Cet appareil ménager à usage commercial est conçu pour être réparé sur site.
6. Les réparations aux pièces ou systèmes résultant d'une modification non autorisée faite à l'appareil ménager à usage commercial.
7. L'enlèvement et la réinstallation de l'appareil ménager à usage commercial si celui-ci est installé dans un endroit inaccessible ou n'est pas installé conformément aux instructions d'installation fournies.
8. Aucun dommage dû à des produits chimiques n'est couvert par la garantie.
9. Des modifications apportées à l'immeuble, à la pièce ou aux lieux afin de permettre à l'appareil ménager à usage commercial de fonctionner correctement.
10. Réparations effectuées par un technicien de réparation agréé employé par une autre compagnie que Whirlpool.

CLAUSE D'EXONÉRATION DE RESPONSABILITÉ AU TITRE DES GARANTIES IMPLICITES; LIMITATION DES RECOURS

LE SEUL ET EXCLUSIF RECOURS DU CLIENT DANS LE CADRE DE LA PRÉSENTE GARANTIE LIMITÉE CONSISTE EN LA RÉPARATION PRÉVUE CI-DESSUS. LES GARANTIES IMPLICITES, Y COMPRIS LES GARANTIES APPLICABLES DE QUALITÉ MARCHANDE OU D'APTITUDE À UN USAGE PARTICULIER, SONT LIMITÉES À UN AN OU À LA PLUS COURTE PÉRIODE AUTORISÉE PAR LA LOI. WHIRLPOOL N'ASSUME AUCUNE RESPONSABILITÉ POUR LES DOMMAGES FORTUITS OU INDIRECTS. CERTAINES JURIDICTIONS NE PERMETTENT PAS L'EXCLUSION OU LA LIMITATION DES DOMMAGES FORTUITS OU INDIRECTS, OU LES LIMITATIONS DE LA DURÉE DES GARANTIES IMPLICITES DE QUALITÉ MARCHANDE OU D'APTITUDE À UN USAGE PARTICULIER, DE SORTE QUE CES EXCLUSIONS OU LIMITATIONS PEUVENT NE PAS S'APPLIQUER DANS VOTRE CAS. CETTE GARANTIE VOUS CONFÈRE DES DROITS JURIDIQUES SPÉCIFIQUES ET VOUS POUVEZ ÉGALEMENT JOUIR D'AUTRES DROITS QUI PEUVENT VARIER D'UNE JURIDICTION À UNE AUTRE.

Si vous avez besoin de service, veuillez contacter votre distributeur autorisé de buanderie à usage commercial Maytag®. Pour localiser votre distributeur autorisé de buanderie à usage commercial Maytag® ou pour toute question via internet, consulter : www.MaytagCommercialLaundry.com.

Pour toute correspondance écrite :
Maytag® Commercial Laundry Service Department
2000 M-63 North
Benton Harbor, Michigan 49022

3/10

SEGURIDAD DE LA LAVADORA

Su seguridad y la seguridad de los demás es muy importante.

Hemos incluido muchos mensajes importantes de seguridad en este manual y en su electrodoméstico. Lea y obedezca siempre todos los mensajes de seguridad.



Este es el símbolo de advertencia de seguridad.

Este símbolo le llama la atención sobre peligros potenciales que pueden ocasionar la muerte o una lesión a usted y a los demás.

Todos los mensajes de seguridad irán a continuación del símbolo de advertencia de seguridad y de la palabra "PELIGRO" o "ADVERTENCIA". Estas palabras significan:

 **PELIGRO**

Si no sigue las instrucciones de inmediato, usted puede morir o sufrir una lesión grave.

 **ADVERTENCIA**

Si no sigue las instrucciones, usted puede morir o sufrir una lesión grave.

Todos los mensajes de seguridad le dirán el peligro potencial, le dirán cómo reducir las posibilidades de sufrir una lesión y lo que puede suceder si no se siguen las instrucciones.

ELIMINACIÓN DE LA LAVADORA



Este electrodoméstico está marcado de acuerdo con la directiva europea 2002/96/EC sobre Residuos de Equipos Eléctricos y Electrónicos (Waste Electrical and Electronic Equipment - WEEE).

Asegurándose de que este producto será eliminado correctamente, usted ayudará a prevenir consecuencias negativas potenciales para el medio ambiente y la salud humana, que podrían causarse por el manejo inapropiado de este producto.

El símbolo sobre el producto, o en los documentos que acompañan al producto, indica que este electrodoméstico no puede tratarse como basura doméstica. Contrariamente, deberá ser entregado al punto de recogida correspondiente para el reciclado de equipos eléctricos y electrónicos.

La eliminación debe llevarse a cabo de acuerdo con las regulaciones ambientales locales para la eliminación de basura.

Para información más detallada acerca del tratamiento, recuperación y reciclado de este producto, por favor, contacte con su oficina municipal local, su servicio de eliminación de basura doméstica o la tienda donde compró el producto.

REQUISITOS DE INSTALACIÓN

Piezas y herramientas

Reúna las herramientas y piezas necesarias antes de comenzar la instalación.

Herramientas necesarias

- Nivel
- Cuchillo para uso general
- Tijeras
- Llave ajustable de 200 mm (8") ó 250 mm (10")
- Destornillador de hoja plana
- Alicates
- Cubo

Piezas suministradas

Saque la bolsa de piezas de la lavadora. Verifique que estén todas las piezas.

- 1 abrazadera para manguera
- 2 mangueras de entrada
- 4 arandelas planas para manguera de agua
- 2 patas niveladoras delanteras con tuercas
- 1 manguera de desagüe
- Adaptador de la manguera

Especificaciones técnicas:

220 a 240 V, 50 Hz. CA
650 vatios

Capacidad de ropa:

MAT14CS: 5,9 kg máx.
MAT15MN: 8,2 kg máx.

Requisitos de ubicación

IMPORTANTE: No instale o almacene esta lavadora donde estará expuesta a la intemperie. No guarde ni haga funcionar su lavadora a temperaturas iguales o inferiores a 0°C (32°F). El agua que quede en la lavadora puede ocasionar daños a bajas temperaturas.

La instalación correcta es su responsabilidad.

Usted necesitará:

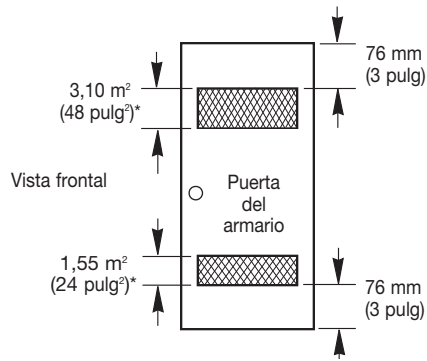
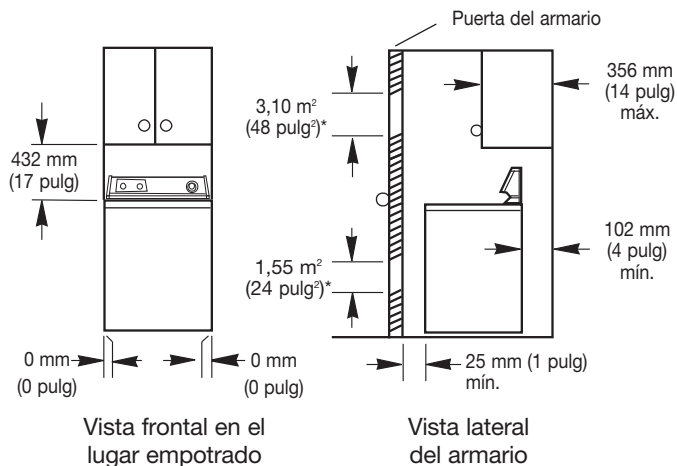
- Un calentador de agua fijado para suministrar a la lavadora agua a 60°C (140°F).
- Un enchufe eléctrico con conexión a tierra ubicado a una distancia no mayor de 1,2 m (4 pies) del lugar donde el cable eléctrico está fijado a la parte posterior de la lavadora. Vea "Requisitos eléctricos".
- Grifos de agua caliente y de agua fría ubicados a una distancia no mayor de 1,2 m (4 pies) de la parte posterior de la lavadora y una presión de agua de 69 -690 kPa (10-100 lbs/pulg²). Debe usarse una válvula de reducción de presión en la línea de suministro donde la presión del agua de entrada hacia el edificio exceda 690 kPa (100 lb/pulg²) para prevenir daños a la válvula de mezcla de agua de la lavadora.
- Un suelo nivelado con un declive máximo de 25 mm (1 pulg) debajo de la lavadora.
- Un suelo resistente que sostenga el peso de la lavadora (la lavadora, el agua y la carga) de 143 kg (315 lb).

Instrucciones para la instalación empotrada o en armario

Esta lavadora podrá instalarse en un área empotrada o en un armario.

El espacio de instalación es en centímetros (pulgadas) y es el mínimo permitido. Debe considerarse espacio adicional para facilitar la instalación, el servicio técnico y el cumplimiento de los códigos y ordenanzas locales.

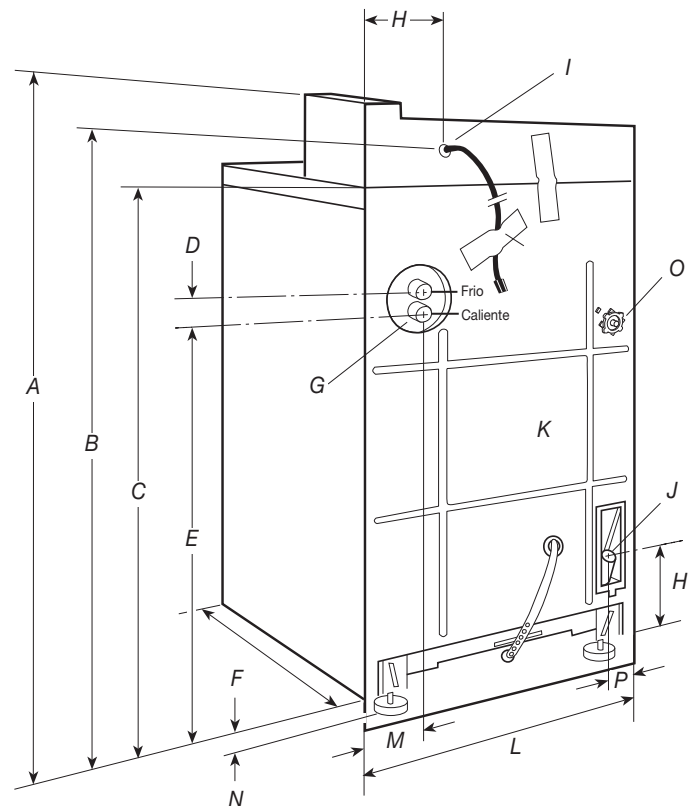
Si se instala la puerta del armario, se requieren aperturas mínimas de ventilación sin obstrucciones en la parte superior e inferior de la puerta. Se aceptan puertas tipo persianas con aperturas de aire equivalentes.



*La apertura es la mínima para la puerta del armario. Se aceptan puertas tipo persianas con aperturas de aire equivalentes.

- Debe considerarse espacio adicional para facilitar la instalación y el servicio técnico.
- Se podrían necesitar espacios libres adicionales para las molduras de la pared, de la puerta y del suelo.
- Para reducir la transferencia de ruidos, se recomiendan espacios libres adicionales de 25 mm (1") en todos los lados de la lavadora.
- También se debe considerar espacio adicional para otro electrodoméstico que le acompañe.

Medidas del producto



- A. 1.09 m (43 pulg)
- B. 970 mm (38½ pulg)
- C. 890 mm (35 pulg)
- D. 38 mm (1½ pulg)
- E. 705 mm (27¾ pulg)
- F. 650 mm (25½ pulg)
- G. Entradas de agua
- H. 180 mm (7 pulg)
- I. Cable de suministro de energía
- J. Conector para la manguera de desagüe
- K. Etiqueta
- L. 685 mm (27 pulg)
- M. 133 mm (5¼ pulg)
- N. 25 mm (1 pulg)
- O. Interruptor de nivel de agua y eje
- P. 127 mm (5 pulg)

Sistema de desagüe

Sistema de desagüe por tubería vertical

El desagüe por tubería vertical necesita una tubería vertical con un diámetro mínimo de 50 mm (2 pulg). La capacidad mínima de desagüe no puede ser menor de 64 L (17 gal.) por minuto.

La parte superior de la tubería vertical debe tener una altura mínima de 990 mm (39 pulg) y máxima de 1,83 m (72 pulg) de la parte inferior de la lavadora.

Requisitos eléctricos

⚠ ADVERTENCIA



Peligro de descarga eléctrica

Conecte a un enchufe de pared de conexión a tierra.

No use un cable eléctrico de extensión ni una toma de corriente portátil.

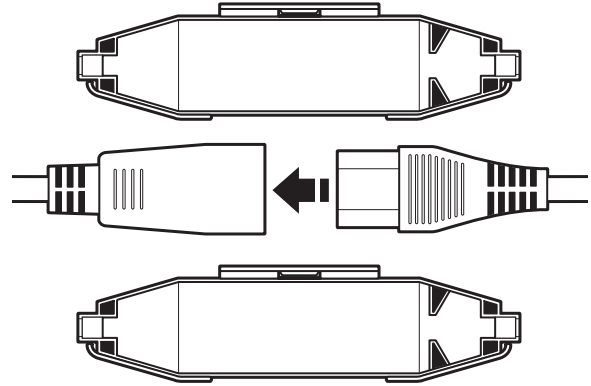
No seguir estas instrucciones puede ocasionar la muerte, incendio o descarga eléctrica.

- Se requiere una fuente de energía eléctrica de 220/240 Voltios/50 Hz., CA solamente y con fusibles de 10 amperios. Se recomienda un fusible retardador o un cortacircuitos. Asimismo se recomienda el uso de un circuito independiente que preste servicio únicamente a este aparato.
- Esta lavadora viene equipada con un cable eléctrico dotado de un enchufe con conexión a tierra. El enchufe debe quedar accesible para poder desconectarlo del suministro de energía.
- Si se ha dañado el cable de suministro de energía, deberá ser reemplazado por el fabricante, el agente de servicio o una persona similarmente calificada con el fin de evitar riesgos.

Cómo utilizar el cable universal provisto con esta lavadora:

Esta lavadora está equipada con un cable universal que tiene clavijas intercambiables.

1. Seleccione la clavija apropiada entre las clavijas provistas y engánchela al conector del cable principal.
2. Enganche a presión las dos mitades del cierre del cable por encima del conector para mantenerlo en su lugar.



Método recomendado de conexión a tierra

INSTRUCCIONES PARA LA CONEXIÓN A TIERRA

Esta lavadora debe estar conectada a tierra. En el caso de funcionamiento defectuoso o avería, la conexión a tierra reducirá el riesgo de descarga eléctrica al proporcionar una vía de menor resistencia para la corriente eléctrica. Esta lavadora usa un cable que cuenta con un conductor para la conexión a tierra del equipo y un enchufe de conexión a tierra. La clavija debe conectarse en un enchufe apropiado, que esté debidamente instalado y conectado a tierra de acuerdo con todos los códigos y ordenanzas locales.

ADVERTENCIA: La conexión indebida del conductor a tierra para el equipo puede resultar en un riesgo de descarga eléctrica. Si no está seguro de que la conexión a tierra del aparato sea la adecuada, verifíquela con un electricista o técnico de servicio competente.

No modifique la clavija provista con el aparato – si no encaja en el enchufe, consulte con un electricista competente para instalar un enchufe adecuado.

INSTRUCCIONES DE INSTALACIÓN

Cómo quitar la correa de embalaje

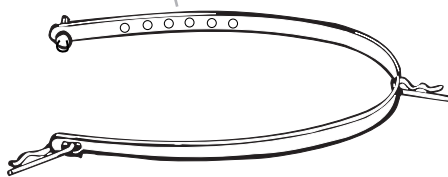
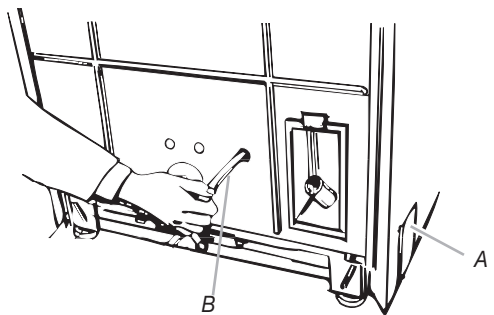
⚠ ADVERTENCIA

Peligro de Peso Excesivo

Utilice dos o más personas para mover e instalar la lavadora.

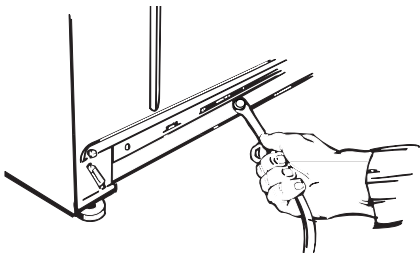
En caso de no seguir estas instrucciones se puede provocar una lesión en la espalda u otro tipo de lesiones.

1. Quite la cinta que cubre la correa de embalaje. Tire para quitar por completo la correa de embalaje con 2 clavijas del interior de la lavadora.



A. Cinta de embalaje
B. Correa de embalaje

2. Tire firmemente para quitar el extremo de la correa de embalaje de la parte posterior de la lavadora. Debe quitarse completamente el tapón de la correa de embalaje de la lavadora para soltar las patas autoniveladoras.



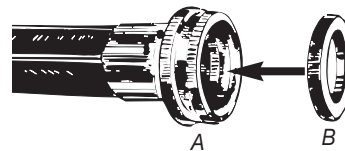
Guarde la correa de embalaje para usarla después.

Conecte las mangueras

Para proteger sus suelos de los daños ocasionados por las fugas de agua, conecte correctamente la manguera de desagüe. Lea y siga estas instrucciones.

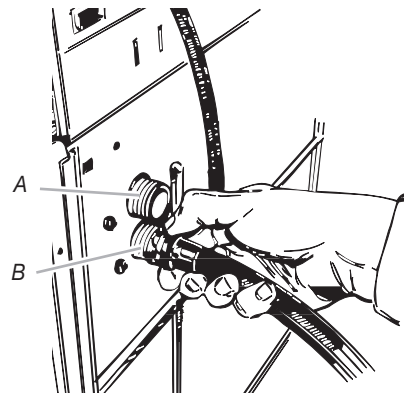
Conecte las mangueras de entrada a la lavadora

1. La lavadora debe estar conectada a los grifos de agua utilizando las mangueras de entrada nuevas provistas con el aparato. No vuelva a utilizar mangueras viejas. Inserte nuevas arandelas planas (suministradas) en cada extremo de las mangueras de entrada. Asiente firmemente las arandelas en los acoplamientos.



A. Acoplamiento
B. Arandela

2. Sujete primero la manguera a la parte inferior de la apertura de la válvula de entrada.



A. Válvula de entrada de agua fría
B. Válvula de entrada de agua caliente

3. Sujete la segunda manguera a la entrada superior. Apriete los acoplamientos a mano; luego use los alicates para darles dos tercios de vuelta adicionales.

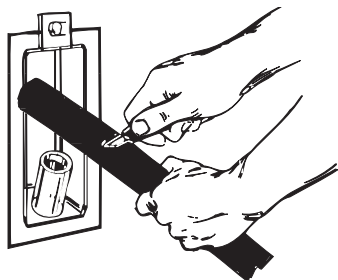
NOTA: Las roscas de la válvula de entrada son de plástico. No las pele ni las entrecruce.

Conecte la manguera de desagüe

NOTA: Deslice la lavadora sobre un cartón o una madera antes de moverla por el suelo.

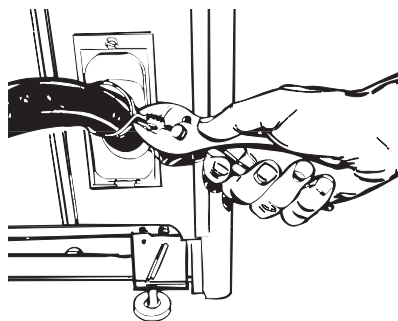
1. Traslade la lavadora cerca de su ubicación final.
2. Coloque el extremo de “gancho” de la manguera de desagüe en el fregadero o en la tubería vertical.
3. Estime la longitud de manguera de desagüe que se necesita cuando la lavadora está en su posición final. La manguera debe cortarse exactamente a la medida para que el extremo de “gancho” esté bien sujeto sobre el borde de la tubería vertical.

Si la manguera de desagüe es muy larga, corte el extremo de la manguera. (No corte el extremo con forma de “gancho” de la manguera de desagüe).

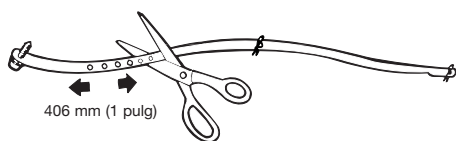


NOTA: No fuerce el exceso de la manguera de desagüe dentro de la tubería vertical. Esto puede ocasionar un efecto de sifón.

4. Coloque la abrazadera de la manguera sobre el conector de desagüe de la lavadora. Empuje la manguera de desagüe hacia el conector de la lavadora. Use los alicates para abrir la abrazadera y deslice la abrazadera sobre la manguera de desagüe. Verifique que quepa bien.

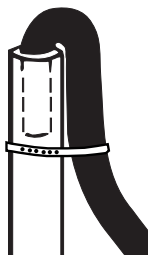


5. Mida y haga una marca a aproximadamente 406 mm (16") del extremo de la clavija de la correa de embalaje. Corte la correa de embalaje en este lugar.



6. Verifique que la manguera no esté enroscada o torcida y que esté asegurada en su lugar.

Coloque el extremo de “gancho” de la manguera de desagüe en la tubería vertical. Enrolle la correa de embalaje con firmeza alrededor de la tubería vertical. Empuje la clavija en el orificio más cercano en la correa de embalaje.



Conecte las mangueras de entrada a los grifos de agua

1. Antes de sujetar las mangueras de entrada del agua a los grifos de agua, haga correr el agua por los dos grifos hacia un cubo. Esto hará deshacerse de las partículas en las líneas de agua que pueden bloquear las mangueras. Marque cuál es la manguera de agua caliente.
2. Instale un adaptador de plástico negro para grifos en cada manguera de entrada.
3. Sujete la manguera inferior (entrada marcada con “H”) a los grifos de agua caliente. Apriete el acoplamiento a los grifos con la mano.
4. Sujete la manguera superior (entrada marcada con “C”) a los grifos de agua fría. Apriete el acoplamiento a los grifos con la mano.
5. Use los alicates para apretar los acoplamientos dos tercios de vuelta adicionales.

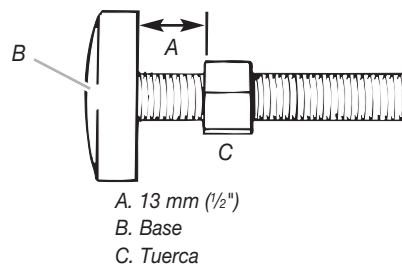
Nivelación de la lavadora

Instale las patas niveladoras delanteras

1. Apile dos postes esquinales, uno sobre el otro. Incline la lavadora hacia atrás e inserte los postes esquinales de 76 mm (3") hacia adentro desde un lado de la lavadora, como se muestra. Repita con otros postes esquinales del otro lado de la lavadora.



2. Use las patas niveladoras y las tuercas del paquete de partes. Atornille la tuerca hasta 13 mm (1/2") de la base.

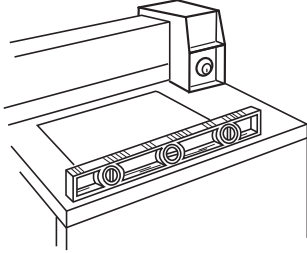


3. Inserte las patas en los orificios adecuados en cada esquina frontal de la lavadora hasta que las tuercas toquen la lavadora. No apriete las tuercas hasta que la lavadora esté nivelada.
4. Incline la lavadora hacia atrás y quite los postes esquinales. Baje lentamente la lavadora al suelo.
5. Mueva la lavadora a su ubicación final. Quite el cartón o madera que se encuentra debajo de la lavadora.

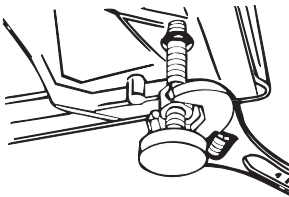


Nivelación de la lavadora

1. Incline la lavadora hacia adelante alzando hacia atrás las patas 25 mm (1") por encima del suelo. Para ajustar las patas autoniveladoras traseras, baje lentamente la lavadora al suelo.
2. Revise si la lavadora está nivelada colocando un nivel en el borde superior de la lavadora, primero de lado a lado, luego del frente hacia atrás.



3. Si la lavadora no está nivelada, ajuste las patas de la misma hacia arriba o hacia abajo. Verifique por última vez si está nivelada.
4. Cuando la lavadora esté nivelada, use una llave para girar las tuercas de las patas delanteras hacia arriba firmemente contra la base de la lavadora. Si no se aprietan las tuercas contra la base de la lavadora, la lavadora podría vibrar.



Complete la instalación

1. Revise los requisitos eléctricos. Asegúrese de contar con la fuente de electricidad correcta y el método recomendado de conexión a tierra.
2. Verifique que todas las piezas estén instaladas. Si hay alguna pieza extra, vuelva a revisar todos los pasos para ver cuál se omitió.
3. Abra las llaves del agua y revise si hay fugas. Apriete los acoplamientos si hay fugas. No los apriete demasiado; esto podría dañar las llaves del agua.
4. Verifique si tiene todas las herramientas.
5. Verifique que la correa de embalaje se haya quitado de la parte trasera de la lavadora y se haya usado para asegurar la manguera de desagüe. Si no se quita la correa completa, la lavadora puede vibrar y hacer ruido.
6. Enchufe el cable de suministro en un enchufe con conexión a tierra.

NOTA: En algunos modelos, durante las pruebas de fábrica, el temporizador ha sido parcialmente adelantado en el ciclo ocasionando que el botón de inicio esté oprimido. Permita que el temporizador avance hasta el final del ciclo. Cuando el ciclo está completo, el temporizador se reajustará y el botón de inicio regresará a la posición de inicio. Si no se permite que avance el temporizador al final del primer ciclo y que se reajuste, la carga de la lavadora no se completará.

Lista de verificación para la operación de la lavadora:

Verifique lo siguiente si la lavadora no está funcionando adecuadamente:

1. El cable de suministro eléctrico está enchufado.
2. El cortacircuitos no se disparó o el fusible no está quemado.
3. El temporizador ha sido adelantado al inicio de un ciclo.
4. Las llaves de agua están abiertas.
5. Las mangueras de entrada y de desagüe no están dobladas.
6. La tapa de la lavadora está cerrada.
7. La válvula de entrada se puede congelar si no está protegida de la intemperie.
8. Nivel de espuma. La espuma excesiva disminuirá la velocidad de rotación y ocasionará un aclarado insatisfactorio. Haga funcionar la lavadora durante un ciclo completo sin detergente. Use menos detergente o un detergente con espuma controlada en cargas futuras.

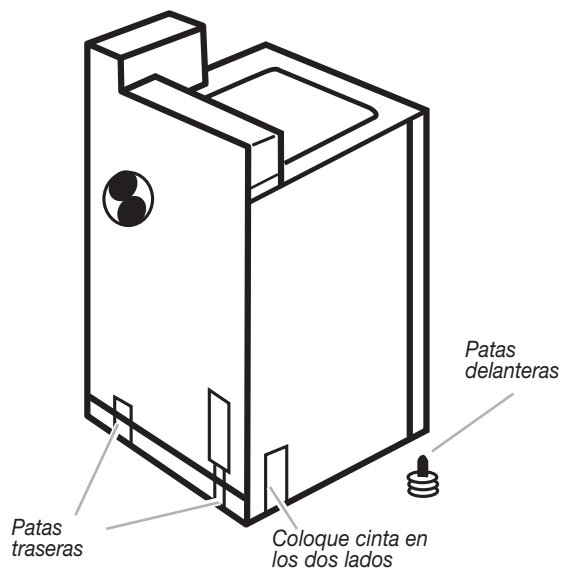
Si necesita ayuda:

Póngase en contacto con su distribuidor autorizado de lavadoras comerciales de Maytag®. Para ubicar a su distribuidor autorizado de lavadoras comerciales de Maytag®, o para solicitar información por internet, visite www.MaytagCommercialLaundry.com.

Cuando llame, usted necesitará tener a mano el número del modelo y de serie de la lavadora. Ambos números se encuentran en la placa de clasificación de serie que está ubicada en el electrodoméstico.

Cómo cambiar la lavadora a una nueva ubicación

- Quite las patas frontales de la base de la lavadora.
- Coloque ambas patas niveladoras traseras en la posición superior y sujételas con cinta de forma segura.
- Aplique cinta a los lados y la parte inferior de la carcasa, cerca de la parte posterior.
- Abra la tapa de la lavadora, ponga a presión una manta entre el anillo del tambor y la parte superior de la carcasa, para restringir el movimiento del tambor.



GARANTÍA DE LAS SECADORAS Y LAVADORAS COMERCIALES MAYTAG® DE PAGO POR USO, DE UNA SOLA CARGA Y DE VARIAS CARGAS

GARANTÍA LIMITADA EN LAS PIEZAS

Durante los cinco primeros años a partir de la fecha de compra, siempre y cuando este aparato comercial haya sido instalado, mantenido y operado según las instrucciones adjuntas o provistas con el producto, la marca Maytag de Whirlpool Corporation (en lo sucesivo denominada "Maytag") se hará cargo de las piezas especificadas de fábrica o de las piezas originales del equipo del fabricante, para corregir defectos en los materiales o la mano de obra. Se requiere una prueba de la fecha de compra original para obtener servicio bajo esta garantía.

MAYTAG NO PAGARÁ POR LOS SIGUIENTES ARTÍCULOS:

1. Todos los otros costos incluyendo mano de obra, transporte o derechos de aduana.
2. Visitas de servicio técnico para corregir la instalación de su aparato comercial, para enseñarle a usar su aparato comercial, para cambiar o reparar fusibles o para corregir el cableado externo o la tubería.
3. Reparaciones cuando su electrodoméstico comercial se use de un modo diferente al de un comercio normal.
4. Daños causados por el manejo inapropiado del producto durante la entrega, robo, accidente, alteración, uso indebido, abuso, incendio, inundación, actos fortuitos, instalación incorrecta, instalación que no esté de acuerdo con los códigos eléctricos o de plomería locales, o el empleo de productos no aprobados por Maytag.
5. Recogida y entrega. Este aparato comercial ha sido diseñado para ser reparado en su lugar.
6. Reparaciones de piezas o sistemas como resultado de modificaciones no autorizadas que se hayan efectuado en el aparato comercial.
7. La remoción y reinstalación de su aparato comercial, si estuviera instalado en un lugar inaccesible o si no estuviera instalado de conformidad con las instrucciones de instalación publicadas.
8. Los daños ocasionados por productos químicos están excluidos de toda cobertura de la garantía.
9. Cambios necesarios en el edificio, habitación o lugar para hacer que el aparato comercial funcione correctamente.
10. Las reparaciones realizadas por un técnico de servicio autorizado que no sea contratado por Whirlpool.

EXCLUSIÓN DE GARANTÍAS IMPLÍCITAS; LIMITACIONES DE RECURSOS

EL ÚNICO Y EXCLUSIVO RECURSO DEL CLIENTE SEGÚN LOS TÉRMINOS DE ESTA GARANTÍA LIMITADA SERÁ EL DE REPARAR EL PRODUCTO SEGÚN SE ESTIPULA EN LA PRESENTE. LAS GARANTÍAS IMPLÍCITAS, INCLUYENDO LAS GARANTÍAS DE COMERCIALIZACIÓN O DE IDONEIDAD PARA UN PROPÓSITO PARTICULAR, SERÁN LIMITADAS A UN AÑO O AL PERÍODO MÁS CORTO PERMITIDO POR LEY. WHIRLPOOL NO SE RESPONSABILIZARÁ POR DAÑOS INCIDENTALES O CONSECUENTES. ALGUNOS ESTADOS Y PROVINCIAS NO PERMITEN LA EXCLUSIÓN O LIMITACIÓN POR DAÑOS INCIDENTALES O CONSECUENTES, O LIMITACIONES ACERCA DE CUÁNTO DEBE DURAR UNA GARANTÍA IMPLÍCITA DE COMERCIALIZACIÓN O IDONEIDAD, DE MODO QUE LAS LIMITACIONES O EXCLUSIONES ARRIBA MENCIONADAS PUEDEN NO APLICARSE EN SU CASO. ESTA GARANTÍA LE OTORGA DERECHOS LEGALES ESPECÍFICOS Y ES POSIBLE QUE USTED TENGA TAMBIÉN OTROS DERECHOS QUE PUEDEN VARIAR DE UN ESTADO A OTRO O DE UNA PROVINCIA A OTRA.

Si usted necesita servicio técnico, póngase en contacto con su distribuidor autorizado de aparatos de lavandería comercial de Maytag®. Para ubicar a su distribuidor autorizado de aparatos de lavandería comercial de Maytag®, o para solicitar información por internet, visite www.MaytagCommercialLaundry.com.

Para enviar correspondencia por escrito:

Maytag® Commercial Laundry Service Department
2000 M-63 North
Benton Harbor, Michigan 49022

3/10

SICUREZZA DELLA LAVATRICE

La sicurezza dell'utente e degli altri è fondamentale.

Il presente manuale e l'elettrodomestico stesso contengono numerosi importanti messaggi sulla sicurezza. Leggere e seguire sempre tutti i messaggi di sicurezza.



Questo è il simbolo che indica un pericolo.

Questo simbolo avverte l'utente dei possibili pericoli mortali per sé e per gli altri.

Tutti i messaggi di sicurezza sono contrassegnati dal simbolo di allarme sicurezza e dalle parole "PERICOLO" o "AVVERTENZA". Significato:

! PERICOLO

Pericolo di morte o di lesioni gravi in caso di mancata osservanza immediata delle istruzioni.

! AVVERTENZA

Pericolo di morte o di lesioni gravi in caso di mancata osservanza delle istruzioni.

Tutti i messaggi di sicurezza informano l'utente sulla tipologia del pericolo, su come ridurre il rischio di lesioni e su cosa può succedere in caso di mancata osservanza delle istruzioni.

L'ELIMINAZIONE DELLA LAVATRICE



Questo elettrodomestico è stato contrassegnato in ottemperanza alla Direttiva Europea 2002/ 96/ EC sulle Attrezzature Elettriche ed Elettroniche da Smaltire (WEEE).

Assicurarsi che questo prodotto venga eliminato correttamente, in modo da evitare possibili conseguenze dannose per l'ambiente e la salute umana, che potrebbero altrimenti sorgere dalla gestione errata dello smaltimento dell'elettrodomestico stesso.

Il simbolo sul prodotto, o sui documenti che lo accompagnano, indica che questo elettrodomestico non deve essere trattato come un rifiuto domestico. Deve, al contrario, essere consegnato al punto di raccolta previsto per il riciclaggio di attrezzature elettriche ed elettroniche.

L'eliminazione deve essere eseguita in ottemperanza alle norme ambientali sullo smaltimento dei rifiuti.

Per ulteriori informazioni dettagliate sul trattamento, il recupero ed il riciclaggio di questo prodotto, si prega di contattare l'ufficio municipale più vicino, il servizio di smaltimento dei rifiuti domestici o il negozio dove è stato acquistato questo prodotto.

REQUISITI D'INSTALLAZIONE

Attrezzi e componenti

Raccogliere gli attrezzi e i componenti necessari prima di iniziare l'installazione.

Attrezzi necessari

- Livella
- Coltello multiuso
- Forbici
- Chiave inglese da 200 mm o 250 mm (8" o 10")
- Cacciavite a taglio
- Pinza
- Secchio

Componenti in dotazione

Rimuovere il sacchetto dei componenti dalla lavatrice. Controllare che vi siano inclusi tutti i pezzi necessari.

- 1 fascetta di serraggio
- 2 tubi d'ingresso dell'acqua
- 4 rondelle piatte per tubi dell'acqua
- 2 piedini anteriori di livellamento con dadi
- 1 tubo di scarico
- Adattatore per tubo

Dati tecnici:	Carico massimo:
220 – 240 VCA, 50 Hz	MAT14CS: 5,9 kg max.
650 Watt	MAT15MN: 8,2 kg max.

Requisiti di posizionamento

IMPORTANTE: non installare o posizionare la lavatrice in un luogo di esposizione diretta alle intemperie. Non collocare o azionare la lavatrice a temperature prossime a 0 gradi centigradi (32 °F). L'acqua potrebbe ristagnare nella lavatrice causando danni a basse temperature.

L'utente è responsabile di una corretta installazione.

È necessario disporre di quanto segue:

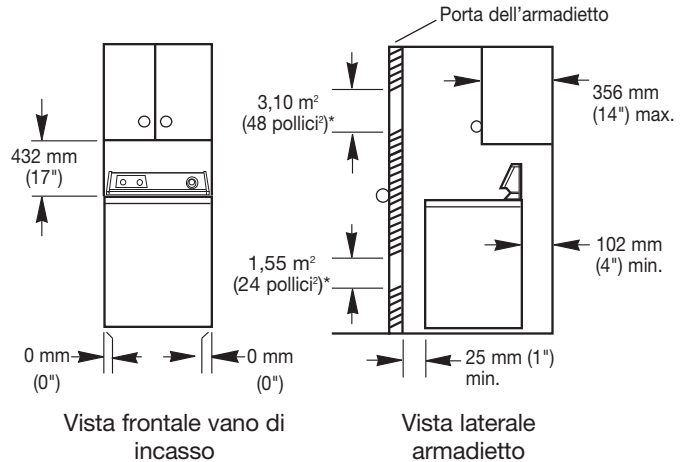
- Uno scaldabagno che eroghi acqua alla lavatrice a una temperatura di 60°C (140°F).
- Una presa di terra situata a non più di 1,2 metri (4 piedi) dal punto in cui il cavo di alimentazione si collega al retro della lavatrice. Consultare il capitolo "Requisiti elettrici".
- Rubinetti per l'acqua calda e fredda situati a non più di 1,2 m (4 piedi) dal retro della lavatrice, che forniscano acqua a una pressione di 69-690 kPa (10-100 psi). Utilizzare una valvola di riduzione della pressione nel tubo di alimentazione laddove la pressione di entrata nello stabile superi i 690 kPa (100 psi) al fine di impedire danni alla valvola miscelatrice della lavatrice.
- Un pavimento piatto con un'inclinazione massima di 25 mm (1") sotto l'intero elettrodomestico.
- Un pavimento robusto che sostenga il peso della lavatrice (peso dell'elettrodomestico più acqua e carico) di 143 kg (315 libbre).

Istruzioni per l'incasso in un vano o in un armadietto

La lavatrice può essere installata in un vano o un armadietto.

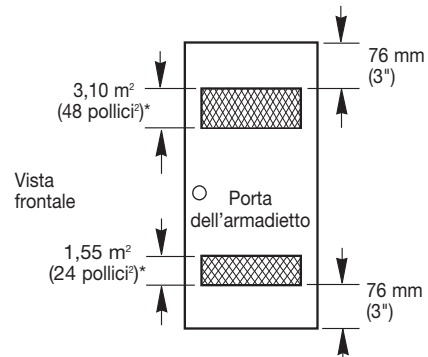
Lo spazio per l'installazione è indicato in centimetri ed è il minimo consentito. Si consiglia comunque di lasciare uno spazio maggiore per facilitare l'installazione, la manutenzione e la conformità alle norme e alle leggi vigenti.

Qualora l'armadietto sia dotato di una porta, è necessario disporre di aperture minime di ventilazione che non vengano ostruite al di sopra e al di sotto dell'elettrodomestico. Sono accettabili persiane battenti con feritoie per l'aria.



Vista frontale vano di incasso

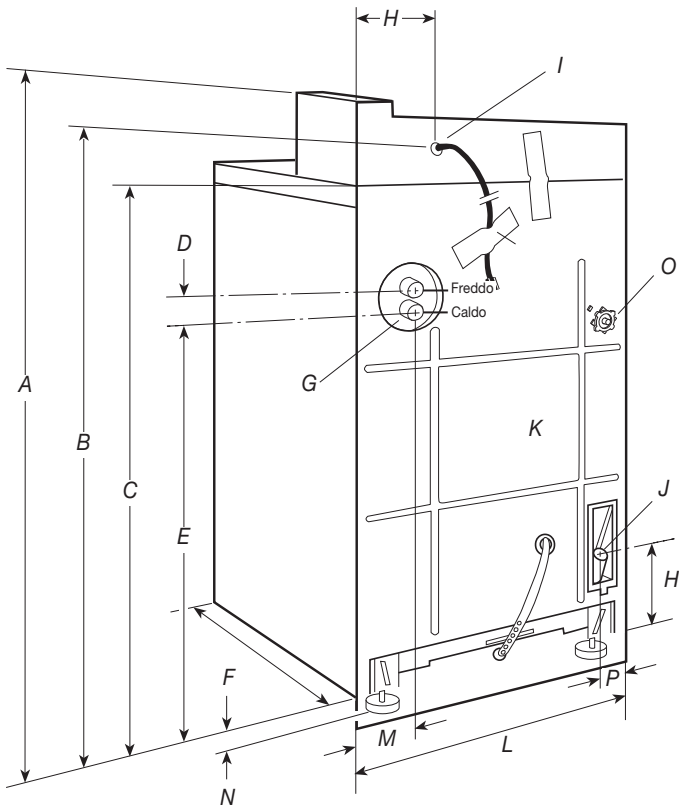
Vista laterale armadietto



* Apertura minima per la porta dell'armadietto. Sono accettabili porte a persiana o simili.

- Considerare un ulteriore spazio per facilitare l'installazione e la manutenzione.
- Considerare lo spazio per le modanature della parete, della porta e del pavimento.
- Si consiglia inoltre di considerare uno spazio di 25 mm (1") su tutti i lati della lavatrice per ridurre il trasferimento del rumore e di considerare lo spazio per un eventuale secondo elettrodomestico.
- Si consideri inoltre lo spazio necessario ad un eventuale altro elettrodomestico.

Dimensioni del prodotto



- A. 1,09 m (43")
- B. 970 mm (38 $\frac{1}{8}$ ")
- C. 890 mm (35")
- D. 38 mm (1 $\frac{1}{2}$ ")
- E. 705 mm (27 $\frac{3}{4}$ ")
- F. 650 mm (25 $\frac{1}{2}$ ")
- G. Tubi di alimentazione dell'acqua
- H. 180 mm (7")

- I. Cavo di alimentazione
- J. Raccordo tubo di scarico
- K. Etichetta
- L. 685 mm (27")
- M. 133 mm (5 $\frac{1}{4}$ ")
- N. 25 mm (1")
- O. Levetta livello acqua e colonna scarico
- P. 127 mm (5")

Sistema di scarico

Colonna di scarico

La colonna di scarico richiede un tubo verticale con diametro minimo di 50 mm (2"). La capacità minima di deflusso deve essere non di inferiore a 64 litri al minuto (17 galloni/min).

L'estremità superiore del tubo verticale deve avere un'altezza di almeno 990 mm (39") e non più di 1,83 m (72") a partire dai piedi dell'elettrodomestico.

⚠ AVVERTENZA



Rischio di scossa elettrica

Connettere questo elettrodomestico ad una presa a terra.

Non usare una prolunga né la presa di un sistema elettrico portatile.

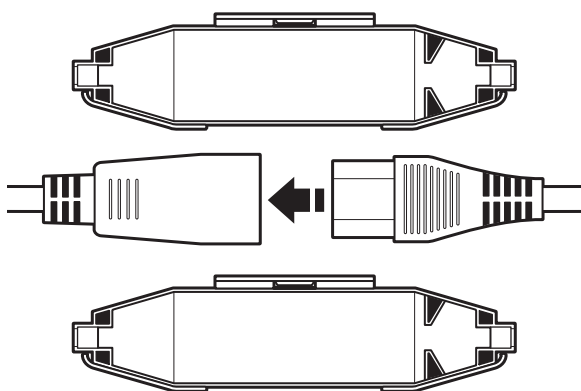
Il mancato rispetto di queste istruzioni potrebbe causare la morte, un incendio o una scossa elettrica.

- È necessario avvalersi di una presa di corrente a 220-240 V, 50 Hz, CA a 10 A con fusibile. Si consiglia l'uso di un fusibile ritardato o di un interruttore. È preferibile avvalersi di un circuito separato da usare esclusivamente per il presente elettrodomestico.
- Questa lavatrice è dotata di un cavo di alimentazione predisposto per la messa a terra. La spina deve essere accessibile per poterla scollegare dall'alimentazione.
- Se il cavo di alimentazione è danneggiato, deve essere sostituito dal produttore, da un suo agente di servizio, o da altre persone qualificate al fine di evitare pericoli.

Utilizzo del cavo universale con questa lavatrice:

Questa lavatrice è dotata di un cavo universale con spine intercambiabili.

1. Selezionare il pezzo di spina appropriato fra quelli forniti e montarlo sul connettore del cavo di alimentazione.
2. Far scattare insieme le due metà del blocco del cavo sopra al connettore per bloccarlo in posizione.



Consigliato sistema di messa a terra

ISTRUZIONI PER LA MESSA A TERRA

La lavatrice deve essere dotata di una adeguata messa a terra. In caso di malfunzionamento o guasto, la messa a terra riduce il rischio di scossa consentendo un percorso di minore resistenza per la corrente elettrica. La lavatrice è dotata di un cavo e di una spina preposti per la messa a terra. La spina deve essere collegata a una presa adeguatamente installata e dotata di messa a terra in conformità a tutte le norme e le ordinanze locali.

AVVERTENZA: il collegamento errato della messa a terra può causare il rischio di scossa elettrica. Consultare un elettricista o un tecnico qualificato in caso di dubbi sulla messa a terra dell'elettrodomestico. Non modificare la spina in dotazione con la lavatrice; se la spina non entra nella presa, far installare una presa adeguata da un elettricista qualificato.

ISTRUZIONI D'INSTALLAZIONE

Rimozione della fascetta d'imballaggio

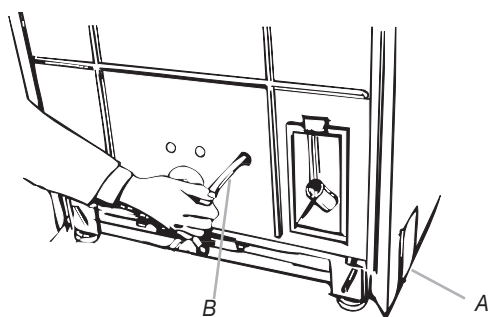
AVVERTENZA

Pericolo di peso eccessivo

Avvalersi di due o più persone per lo spostamento e per l'installazione della lavatrice.

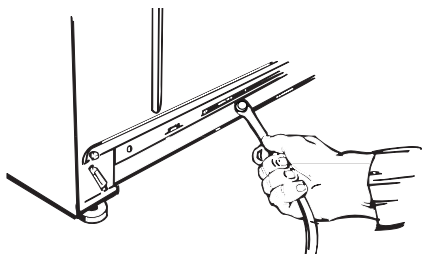
La non ottemperanza può causare lesioni alla schiena o ad altre parti del corpo.

1. Rimuovere il nastro adesivo che copre la fascetta d'imballaggio. Tirare verso di sé la fascetta d'imballaggio per estrarla completamente con 2 coppie dall'interno della lavatrice.



A. Nastro adesivo per l'imballaggio
B. Fascetta d'imballaggio

2. Tirare con vigore verso di sé per rimuovere l'estremità della fascetta d'imballaggio dal retro della lavatrice. Il perno della fascetta d'imballaggio deve essere completamente rimosso per far uscire i piedini auto-livellanti.



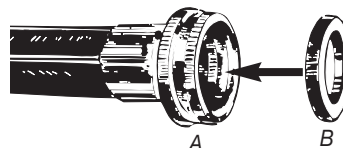
Conservare la fascetta d'imballaggio per usi futuri.

Collegamento dei tubi

Un adeguato collegamento del tubo di scarico ha la funzione di proteggere i pavimenti dai danni causati dalle perdite d'acqua. Leggere e seguire attentamente queste istruzioni.

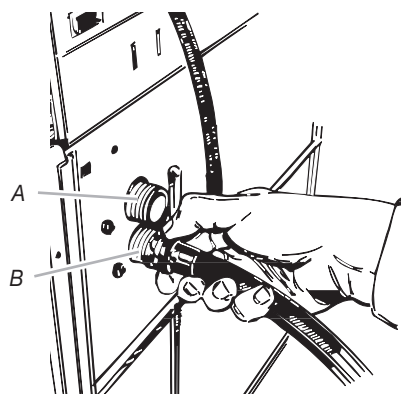
Collegare i tubi d'ingresso alla lavatrice

1. La lavatrice va collegata al rubinetto dell'acqua utilizzando i nuovi tubi di alimentazione forniti con l'elettrodomestico. Non riutilizzare vecchi tubi. Inserire le rondelle piatte nuove (in dotazione) in ciascuna estremità dei tubi d'ingresso. Inserire con vigore le rondelle nei raccordi.



A. Raccordo
B. Rondella

2. Collegare il tubo prima alla valvola d'ingresso inferiore.



A. Valvola d'ingresso acqua fredda
B. Valvola d'ingresso acqua calda

3. Collegare il secondo tubo alla valvola d'ingresso superiore. Avvitare i raccordi a mano; quindi, usare una pinza per avvitare di altri due terzi di giro.

NOTA: la filettatura delle valvole d'ingresso è in plastica. Non rimuoverla o incrociarla.

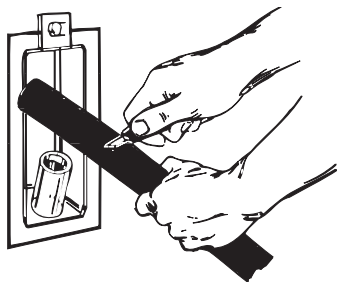
Collegamento del tubo di scarico

NOTA: posizionare la lavatrice su un pannello di cartone o di legno prima di spostarla lungo il pavimento.

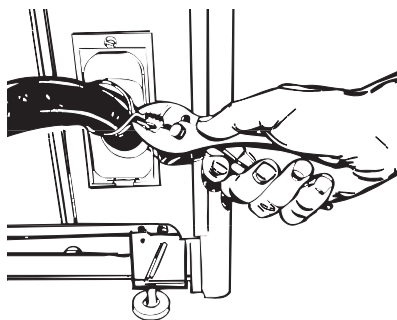
1. Spostare la lavatrice verso la posizione finale.
2. Inserire l'estremità a "gancio" del tubo di scarico nel lavatoio o nel tubo verticale.
3. Stimare la lunghezza del tubo di scarico necessaria quando la lavatrice è in posizione finale. Il tubo deve essere tagliato della lunghezza esatta in modo che l'estremità a "gancio" aderisca bene all'estremità del tubo verticale.

Se il tubo di scarico è troppo lungo, tagliare l'estremità dritta del tubo. (Non tagliare l'estremità con il gancio).

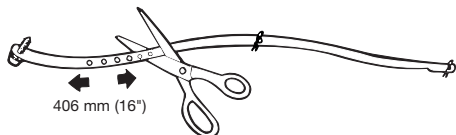
NOTA: non infilare la parte che avanza del tubo di scarico lungo il tubo verticale. Questo potrebbe causare un travaso.



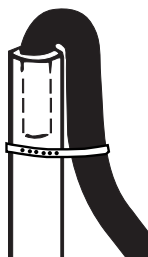
4. Collocare il morsetto del tubo sul raccordo dello scarico della lavatrice. Spingere il tubo di scarico nel raccordo. Usare una pinza per aprire il morsetto e inserirlo sul tubo di scarico. Assicurarsi che aderisca completamente.



5. Misurare e contrassegnare un punto a circa 406 mm (16") dall'estremità con la spina della fascetta d'imballaggio. Tagliare la fascetta d'imballaggio in questo punto.



6. Controllare che il tubo non sia attorcigliato o piegato e che sia stato fissato in posizione. Inserire l'estremità del tubo di scarico a "gancio" nel tubo verticale. Avvolgere con vigore la fascetta d'imballaggio attorno al bordo del tubo verticale. Inserire il perno nel foro più vicino della fascetta d'imballaggio.



Collegamento dei tubi d'ingresso ai rubinetti dell'acqua

1. Prima di collegare i tubi d'ingresso ai rubinetti, far scorrere l'acqua di entrambi i rubinetti in un secchio per evitare che le particelle contenute nei tubi dell'acqua possano ostruire i tubi della lavatrice. Contrassegnare il rubinetto dell'acqua calda.
2. Installare un adattatore nero per rubinetto su ogni tubo di alimentazione.
3. Collegare il tubo inferiore (il tubo d'ingresso indicato con la lettera "H") al rubinetto dell'acqua calda.
4. Collegare il tubo superiore (il tubo d'ingresso indicato con la lettera "C") al rubinetto dell'acqua fredda. Stringere a mano con vigore il raccordo al rubinetto.
5. Usare una pinza per avvitare di altri due terzi di giro ciascun raccordo.

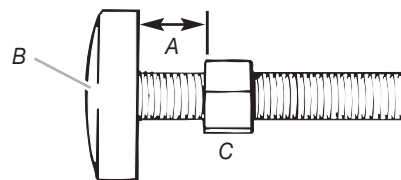
Livellamento della lavatrice

Installazione dei piedini anteriori di livellamento

1. Posizionare due montanti angolari uno sopra l'altro. Inclinare la lavatrice all'indietro e inserire i montanti per 76 mm (3") da uno dei lati della lavatrice, come mostrato in figura. Ripetere l'operazione con gli altri montanti angolari dall'altro lato della lavatrice.



2. Usare i piedini di livellamento e i dadi contenuti nel sacchetto dei componenti. Avvitare il dado fino a 13 mm (1/2") dalla base.



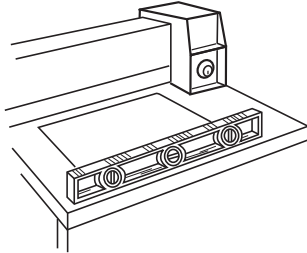
A. 13 mm (1/2")
B. Base
C. Dado

3. Inserire i piedini nei fori corretti di ciascun angolo anteriore della lavatrice fino a quando i dadi non toccano l'elettrodomestico. Non stringere i dadi finché la lavatrice non è stata livellata.
4. Inclinare la lavatrice all'indietro e rimuovere i montanti angolari. Inclinare delicatamente la lavatrice verso il pavimento.
5. Collocare la lavatrice nella posizione finale. Rimuovere il pannello di cartone o di legno dal fondo della lavatrice.

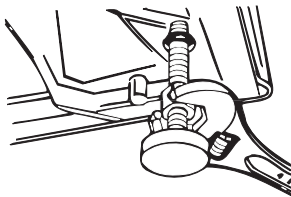


Livellamento della lavatrice

1. Inclinare la lavatrice verso di sé sollevando i piedini posteriori di 25 mm (1") dal pavimento. Per regolare i piedini posteriori auto-livellanti, abbassare delicatamente la lavatrice.
2. Controllare il livellamento della lavatrice posizionando una livella sul ripiano della lavatrice, prima da destra a sinistra, quindi dalla parte anteriore a quella inferiore.



3. Se la lavatrice non è a livello, regolare i piedini anteriori verso l'alto o verso il basso. Eseguire il controllo finale con la livella.
4. Quando la lavatrice è livellata correttamente, usare una chiave inglese per avvitare i dadi dei piedini anteriori alla base della lavatrice. Se i dadi non sono adeguatamente avvitati alla base, la lavatrice può vibrare.



Installazione completa

1. Verificare i requisiti elettrici. Assicurarsi di disporre di un impianto elettrico adeguato e di un'adeguata messa a terra.
2. Accertarsi di aver installato tutti i componenti. Se avanza un componente, ripetere il procedimento per capire quale passo sia stato saltato.
3. Aprire i rubinetti e controllare che non vi siano perdite. Qualora ve ne siano, avvitare ulteriormente i raccordi. Non stringere con troppo vigore poiché si potrebbero causare danni ai rubinetti.
4. Accertarsi di avere tutti gli attrezzi a disposizione.
5. Verificare che la fascetta d'imballaggio sia stato rimosso dal retro della lavatrice e che sia usato per fissare il tubo di scarico. Se la fascetta d'imballaggio non è stata rimossa completamente, la lavatrice potrebbe vibrare e causare rumore.
6. Inserire la spina a una presa con messa a terra.

NOTA: su alcuni modelli, durante i collaudi in fabbrica, il timer viene posizionato su un punto avanzato nel ciclo, provocando l'attivazione del tasto di avvio. Aspettare che il timer raggiunga la fine del ciclo. Una volta completato il ciclo, il timer si azzererà e il tasto di avvio tornerà al punto di partenza. Se non si consente al timer di raggiungere la fine del primo ciclo e quindi di azzerarsi, il lavaggio non sarà completato.

Checklist per il funzionamento della lavatrice

Se la lavatrice non funziona correttamente, verificare che:

1. Il cavo di alimentazione sia collegato alla presa di corrente.
2. L'interruttore di circuito sia stato attivato o che il fusibile non sia saltato.
3. Il timer si trovi all'inizio di un ciclo.
4. I rubinetti siano aperti.
5. I tubi d'ingresso e di scarico non siano piegati.
6. Lo sportello della lavatrice sia chiuso.
7. La valvola d'ingresso non si sia congelata quando esposta alle intemperie.
8. Livello di schiuma. La schiuma eccessiva rallenta la rotazione del cestello e causa uno scarso risciacquo. Completare un ciclo senza detersivo. Usare meno detersivo oppure un detersivo che crei meno schiuma per i lavaggi futuri.

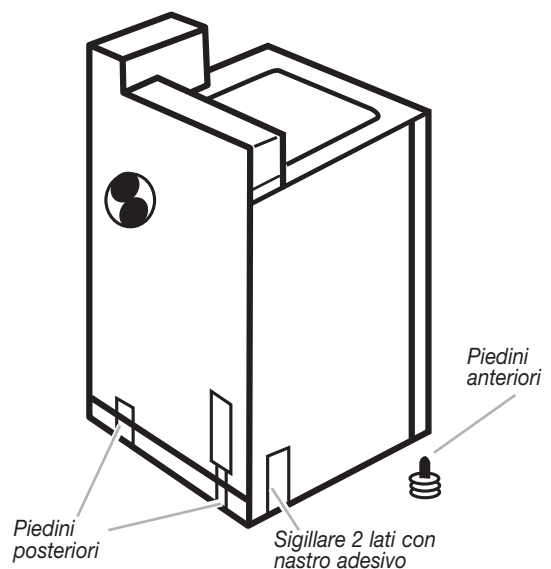
Per l'assistenza:

Contattare il rivenditore autorizzato di Lavatrici Commerciali Maytag®. Per individuare il rivenditore autorizzato di Lavatrici Commerciali Maytag®, oppure per le indagini di Web, visitare il sito www.MaytagCommercialLaundry.com.

Al momento della chiamata, tenere a portata di mano il numero del modello e il numero di serie della lavatrice riportati sulla targhetta situata sull'elettrodomestico.

Per spostare la lavatrice in una nuova posizione

- Estrarre i piedini anteriori dalla base della lavatrice.
- Alzare al massimo entrambi i piedini posteriori di livellamento e bloccarli con del nastro adesivo.
- Applicare del nastro adesivo al lato e al fondo dell'elettrodomestico vicino al lato posteriore.
- Aprire lo sportello della lavatrice, inserire una coperta tra i bordi del cestello e il lato superiore dell'elettrodomestico per attenuarne i movimenti.



GARANZIA MAYTAG® PER LAVATRICE COMMERCIALE A CARICO SINGOLO E A PAGAMENTO A CARICO MULTIPLO E PER ASCIUGATRICE

GARANZIA LIMITATA SUI PEZZI

Per i primi cinque anni dalla data di acquisto, ove l'installazione, la manutenzione e il funzionamento siano avvenuti in conformità con le istruzioni allegate o fornite con il prodotto, Maytag marchio di Whirlpool Corporation (da questo momento "Maytag") sarà responsabile del rimborso delle parti indicate dalla fabbrica o delle parti delle apparecchiature originali indicate dal produttore in caso di difetti nei materiali o di fabbricazione. È necessaria una prova della data di acquisto per ottenere l'assistenza coperta dalla presente garanzia.

VOCI NON A CARICO DI MAYTAG:

1. Tutti gli altri costi inclusi, manodopera, trasporto o dazi doganali.
2. L'assistenza in caso di errata installazione dell'apparecchiatura commerciale, per ricevere istruzioni sull'uso del dispositivo, per la sostituzione o riparazione di fusibili oppure per correggere il cablaggio o l'impianto idraulico esterni.
3. Riparazioni in caso di utilizzo dell'apparecchiatura al di fuori del proprio regolare uso commerciale.
4. Danni provocati dall'errata manipolazione del prodotto durante la consegna, furto, incidenti, alterazioni, cattivo utilizzo, abusi, incendio, inondazione, cause di forza maggiore, errata installazione, installazione non in conformità con le norme sugli impianti elettrici e idraulici locali, uso di prodotti non approvati da Maytag.
5. Ritiro e consegna. Questo dispositivo commerciale è progettato per essere riparato in situ.
6. Riparazioni di parti o sistemi provocate da modifiche non autorizzate apportate al dispositivo commerciale.
7. La rimozione e reinstallazione del dispositivo commerciale se installato in un'area di difficile accesso o non in conformità con le istruzioni di installazione pubblicate.
8. I danni chimici sono esclusi dalla copertura della garanzia.
9. Le modifiche all'edificio, alla stanza o all'area necessarie al corretto funzionamento del dispositivo commerciale.
10. Riparazioni effettuate non da personale di assistenza autorizzato della Whirlpool.

LIMITAZIONE DELLE GARANZIE IMPLICITE; LIMITAZIONE DEI RIMEDI

UNICO E SOLO RIMEDIO DA PARTE DEL CLIENTE SOTTO LA PRESENTE GARANZIA È LA RIPARAZIONE DEL PRODOTTO COME SPECIFICATO DALLA PRESENTE GARANZIA. LE GARANZIE IMPLICITE, INCLUSE LE GARANZIE DI COMMERCIALIZZABILITÀ O IDONEITÀ PER UNO SCOPO PARTICOLARE, SONO LIMITATE A UN ANNO O AL PERIODO MINIMO CONSENTITO DALLA LEGGE. WHIRLPOOL NON È RESPONSABILE DI INCIDENTI O DANNI DA ESSI DERIVANTI. ALCUNI STATI E PROVINCE NON RICONOSCONO L'ESCLUSIONE DI DANNI INCIDENTALI O CONSEGUENZIALI O LE LIMITAZIONI SULLA DURATA DELLE GARANZIE IMPLICITE DI COMMERCIALIZZABILITÀ O IDONEITÀ; PERTANTO QUESTA LIMITAZIONE ED ESCLUSIONE POTREBBE NON ESSERE APPLICABILE. LA PRESENTE GARANZIA FORNISCE DIRITTI LEGALI SPECIFICI OLTRE A QUELLI EVENTUALI CHE SPETTANO IN BASE ALLO STATO O ALLA PROVINCIA A CUI SI APPARTIENE.

Per assistenza, contattare il distributore autorizzato di lavatrici commerciali Maytag®. Per localizzare il rivenditore Maytag® locale o per richieste via Web, visitare www.MaytagCommercialLaundry.com.

Per inviare richieste per iscritto scrivere a:

Maytag® Commercial Laundry Service Department
2000 M-63 North
Benton Harbor, Michigan 49022

3/10

W10135309B

© 2010

All rights reserved.

Tous droits réservés.

Todos los derechos

reservados.

Tutti i diritti riservati.

® Registered Trademark/TM Trademark of Maytag Corporation or its related companies.

® Marque déposée/TM Marque de commerce de Maytag Corporation ou ses compagnies affiliées.

® Marca registrada/TM Marca de comercio son propiedad Maytag Corporation o sus compañías relacionadas.

® Marchio di fabbrica /TM marchio del depositato di Maytag Corporation o le sue società relative.

04/2010

Printed in U.S.A.

Imprimé aux É.-U.

Impreso en EE.UU.

Stampato negli S.U.A.